



Modello pompa - Serie

JET 200 M - N.1. - -

Firmenname
Sachbearbeiter
Telefonnummer
FAX-Nummer
E-Mail Adresse

Attention: check the correspondence
with the serial number of the pump.

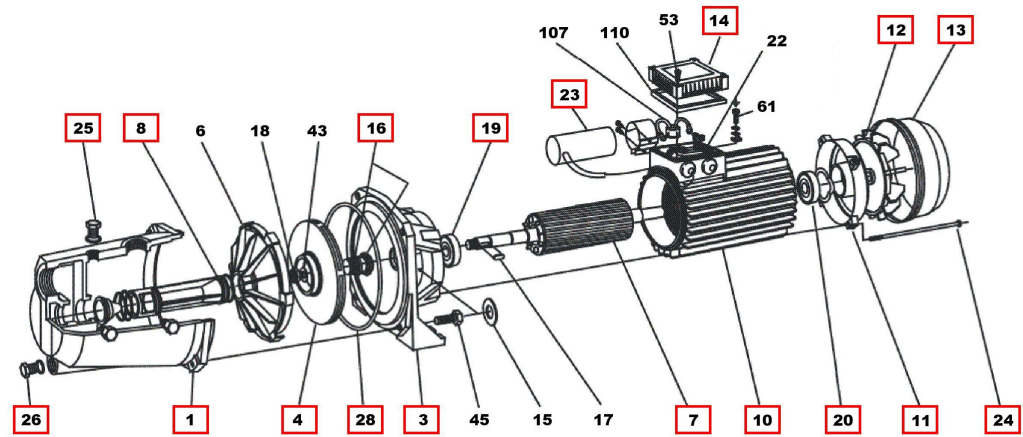
Receiver

From

Revisionsnummer

JET 200 M

| Item | Quant. | Item no. | Description |
|------|--------|-----------|------------------------------------|
| 1 | 1 | R00005221 | PUMP BODY |
| 13 | 1 | R00004703 | FAN GUARD |
| 12 | 1 | R00005199 | FAN |
| 3 | 1 | R00005200 | RIC.SUPPORTO JET 200M |
| 7 | 1 | R00005257 | RIC.ALBERO MOTORE JET 200 M |
| 28 | 1 | R00005202 | RIC.OR JET 300 T |
| 24 | 1 | R00005203 | RIC.VITERIA JET 200 M |
| 19 | 1 | R00005258 | RIC.CUSCINETTO ANTERIORE JET 300 T |
| 20 | 1 | R00005205 | REAR BEARING |
| 4 | 1 | R00005207 | RIC.GIRANTE JET 200 M |
| 11 | 1 | R00005208 | MOTOR COVER |
| 10 | 1 | R00005209 | RIC.MOTORE JET 200 M |
| 16 | 1 | R00005210 | SEAL |
| 14 | 1 | R00005211 | TERMINAL BOARD |
| 25 | 1 | R00005213 | LOAD PLUG |
| 26 | 1 | R00005428 | DISCHARGE PLUG |
| 23 | 1 | R00005206 | CAPACITOR |
| 8 | 1 | R00005212 | RIC.TUBO VENTURI JET 300 T |



Project

Project ID

Created by

Created on
2008-07-29

Last update