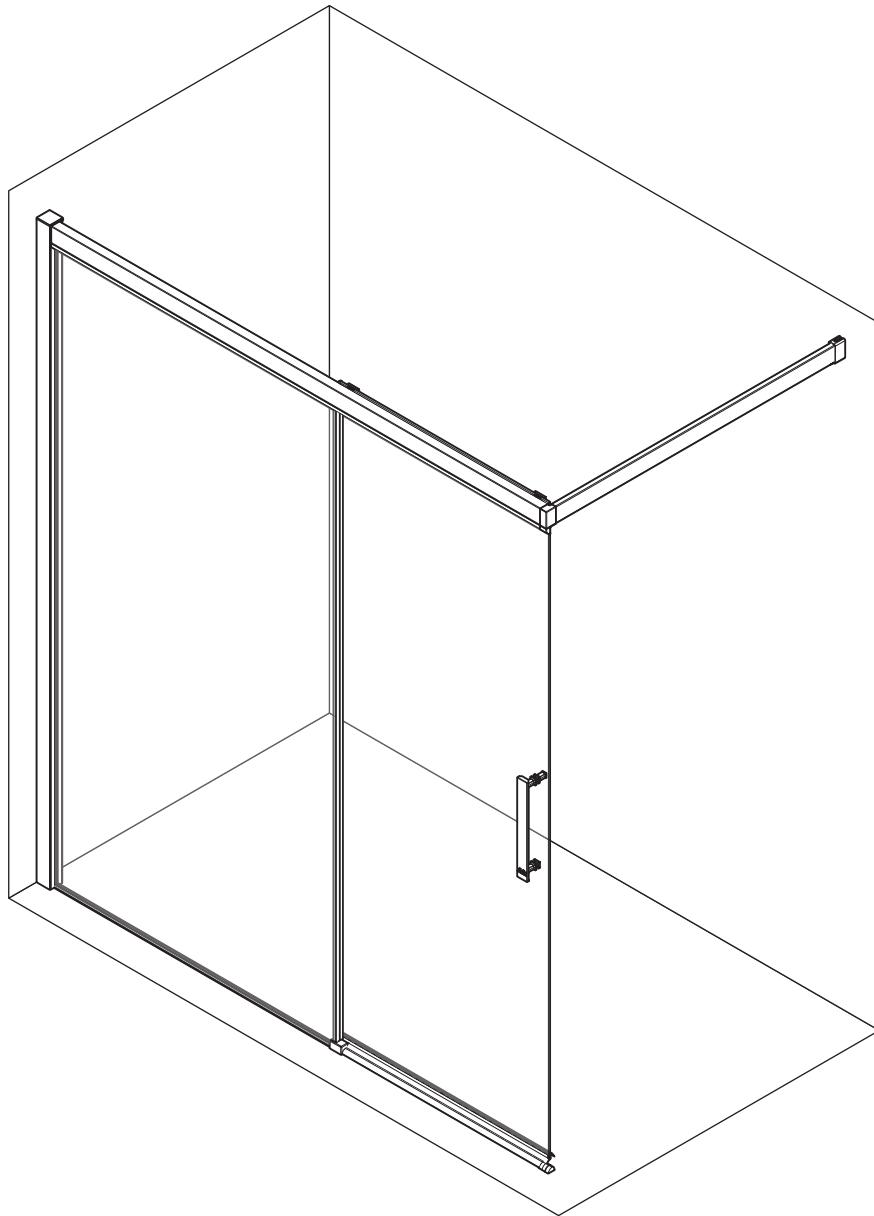


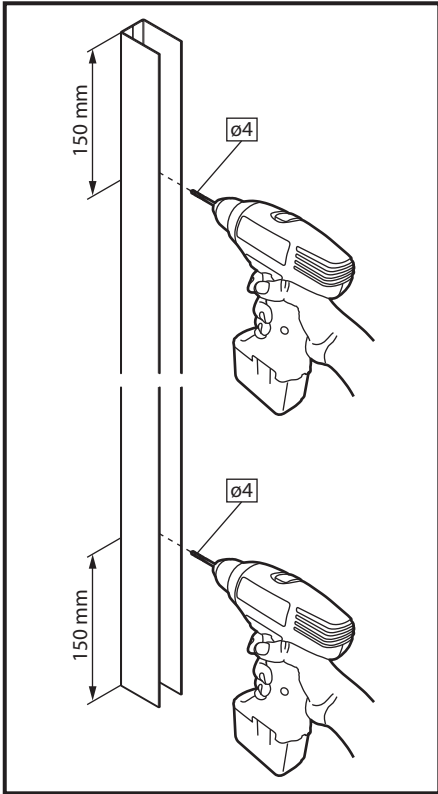
**ROSE ROSSE**

**PHB**

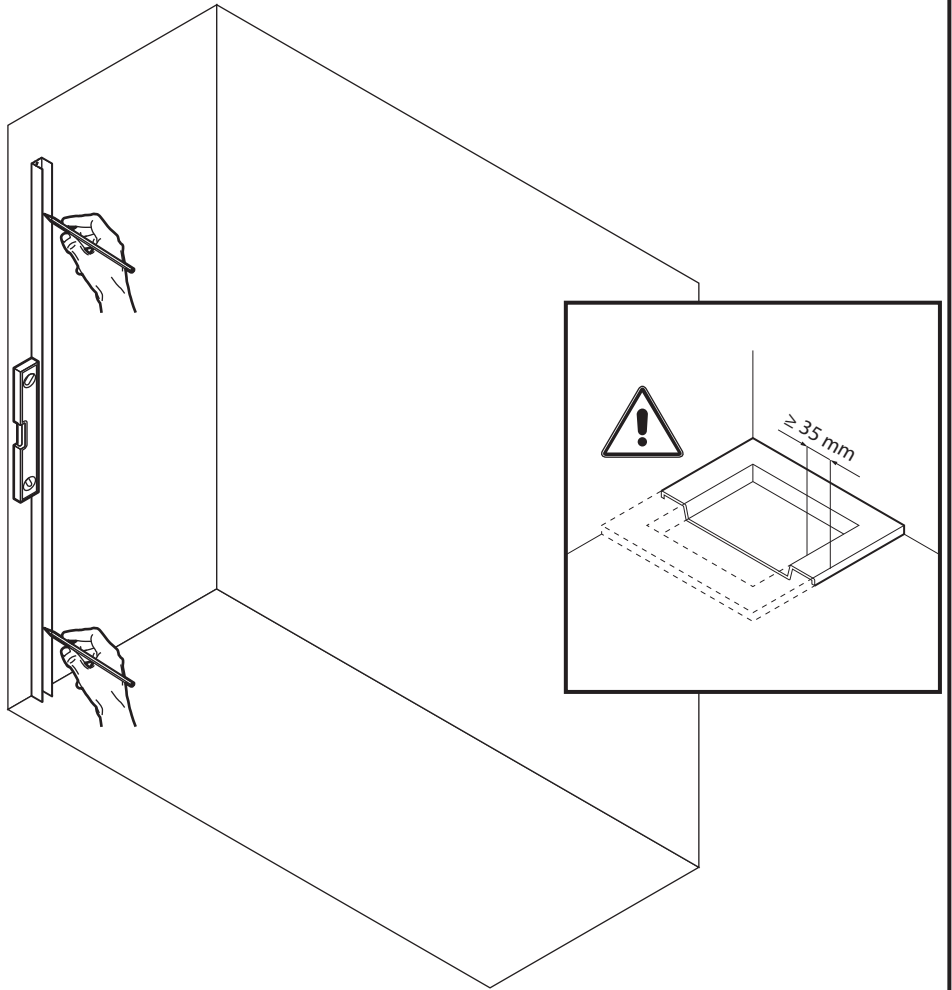


|  |  |
|--|--|
|  |  |
|  |  |
|  |  |
|  |  |



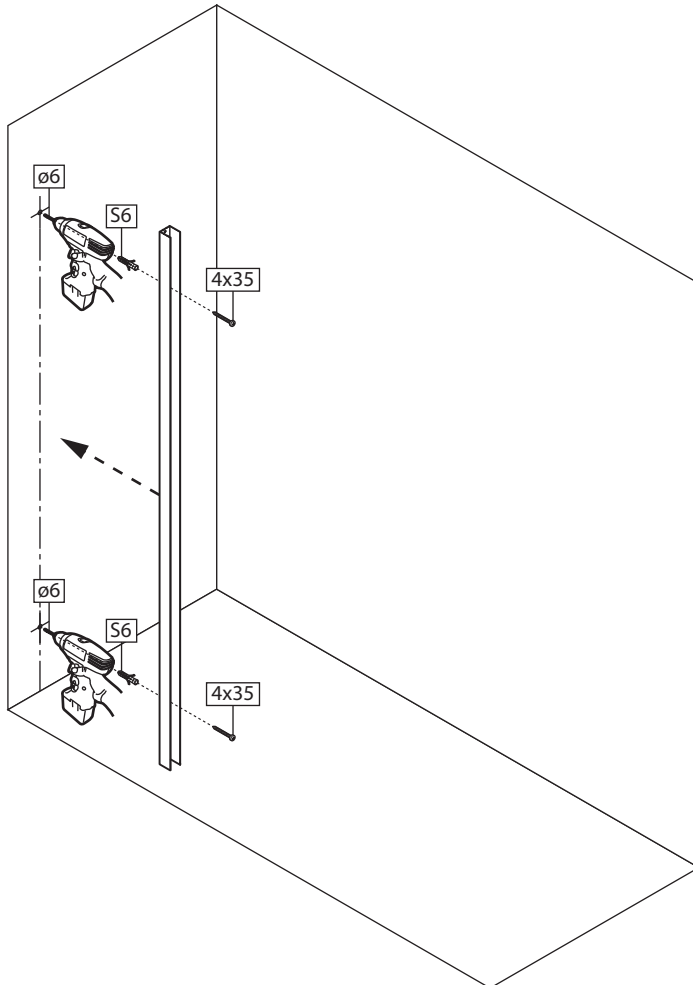


ø4 mm



**2**

ø6 mm

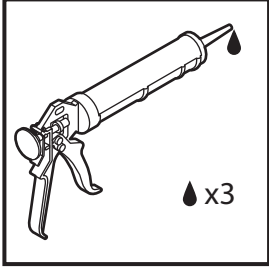
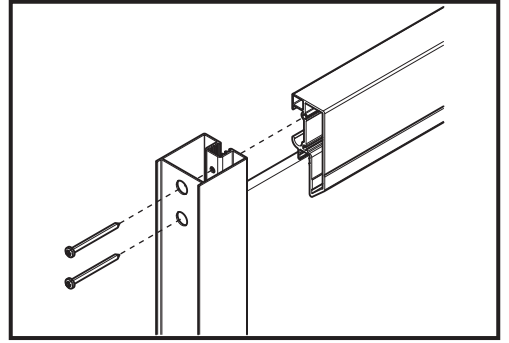
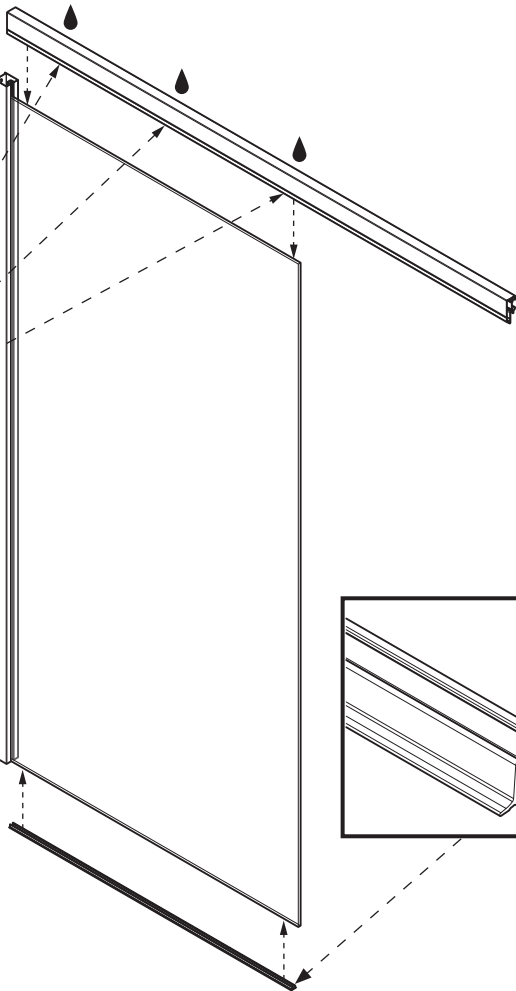


**3**

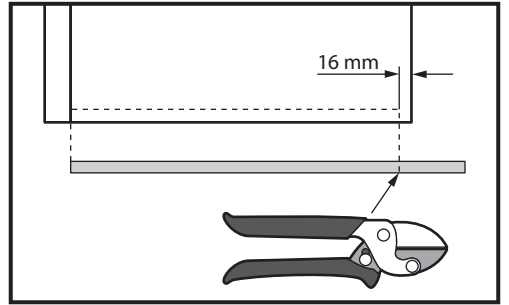
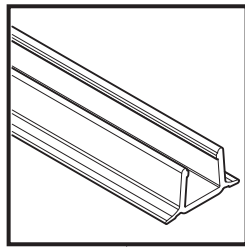
# 3



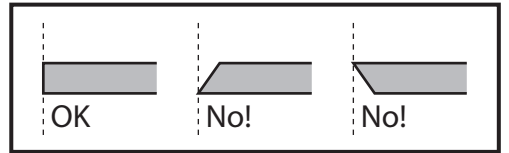
3,5x45



x3



16 mm

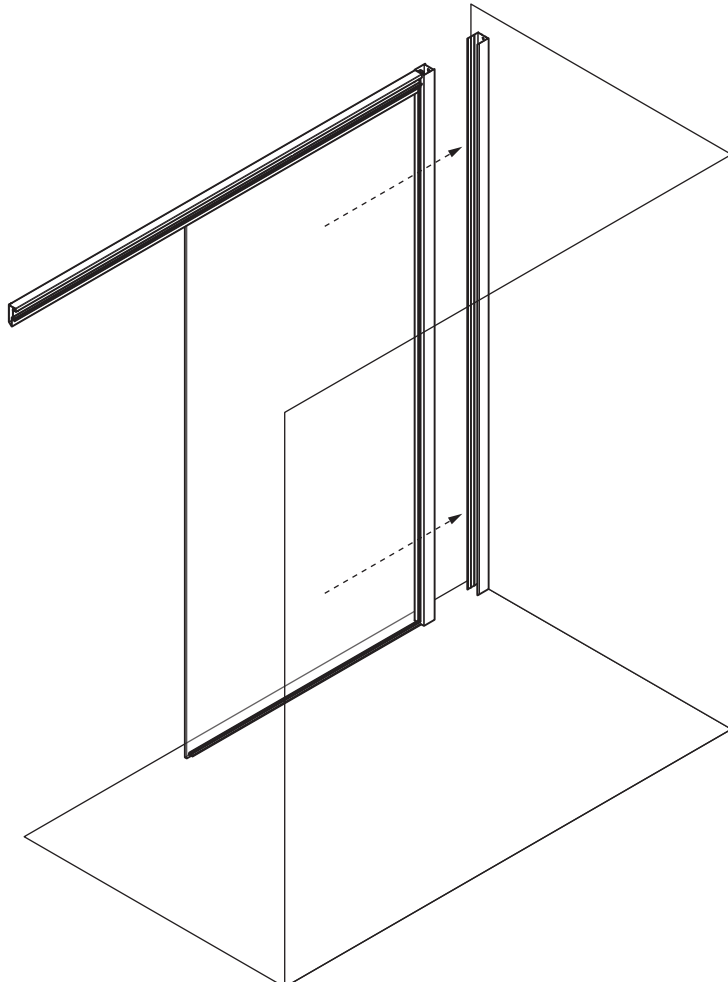


OK

No!

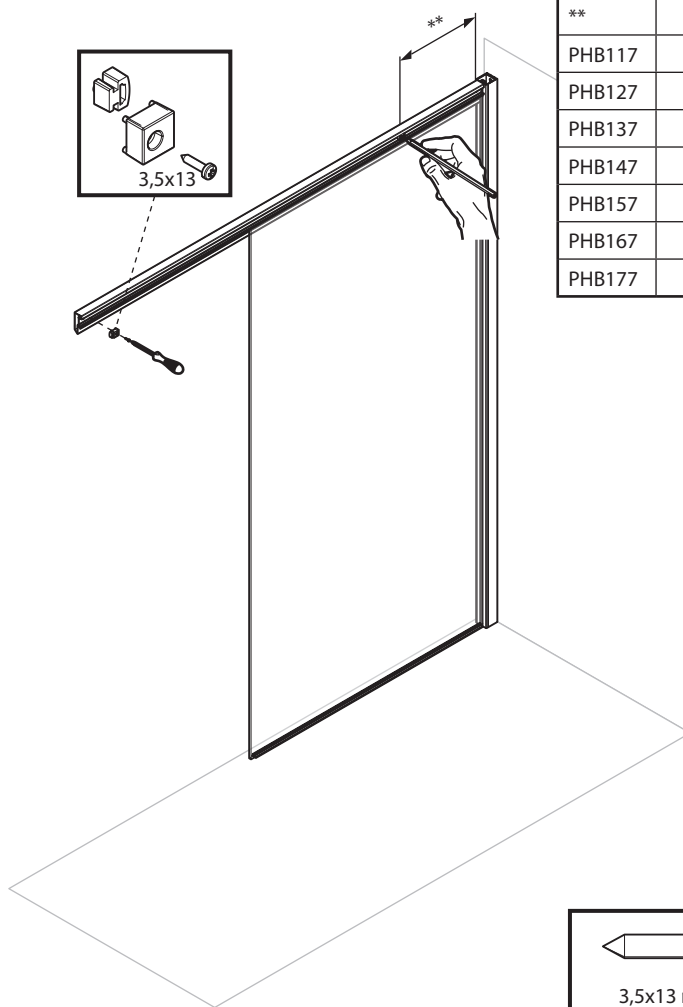
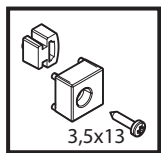
No!

# 4

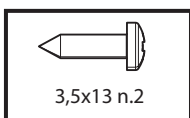
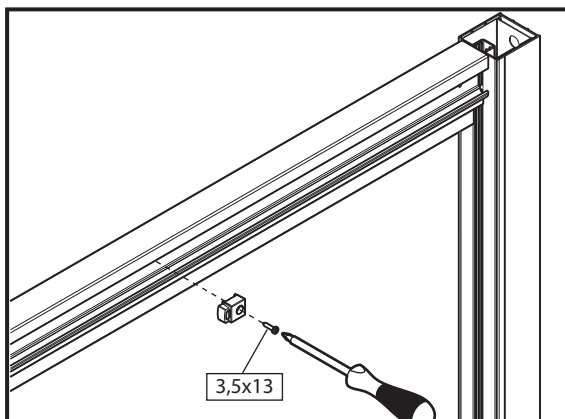
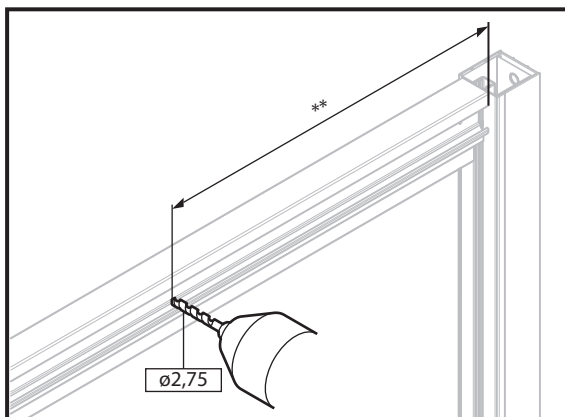
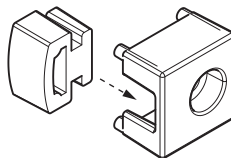


4

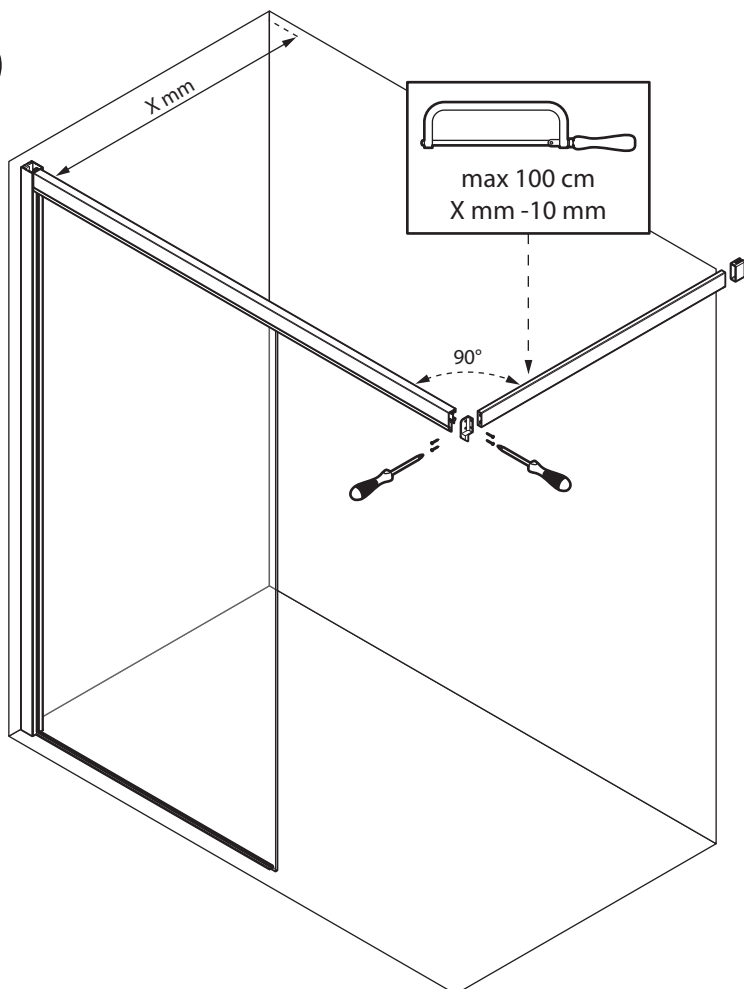
# 5



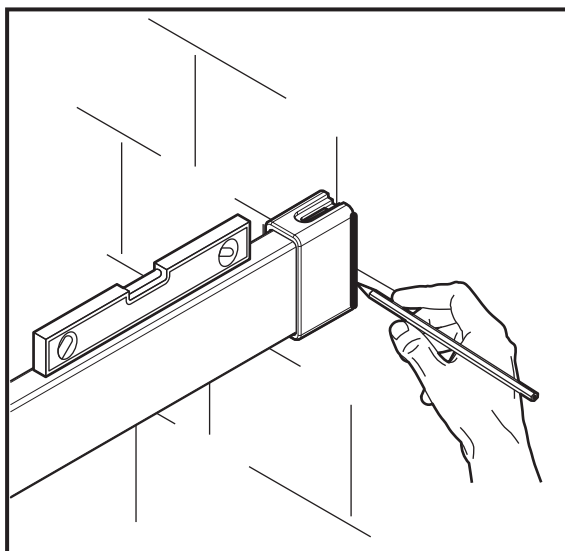
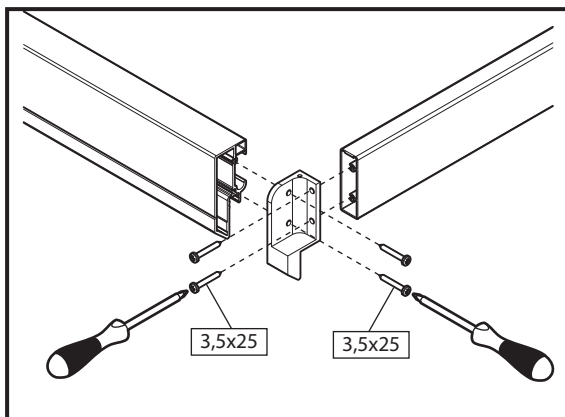
| **     | mm  |
|--------|-----|
| PHB117 | 180 |
| PHB127 | 180 |
| PHB137 | 180 |
| PHB147 | 180 |
| PHB157 | 180 |
| PHB167 | 280 |
| PHB177 | 380 |



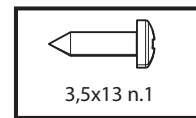
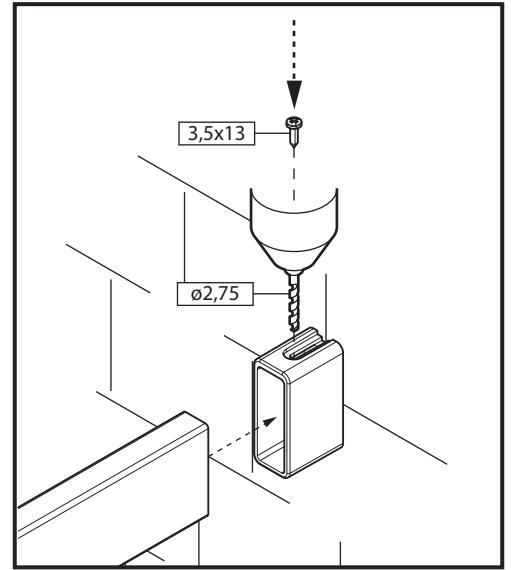
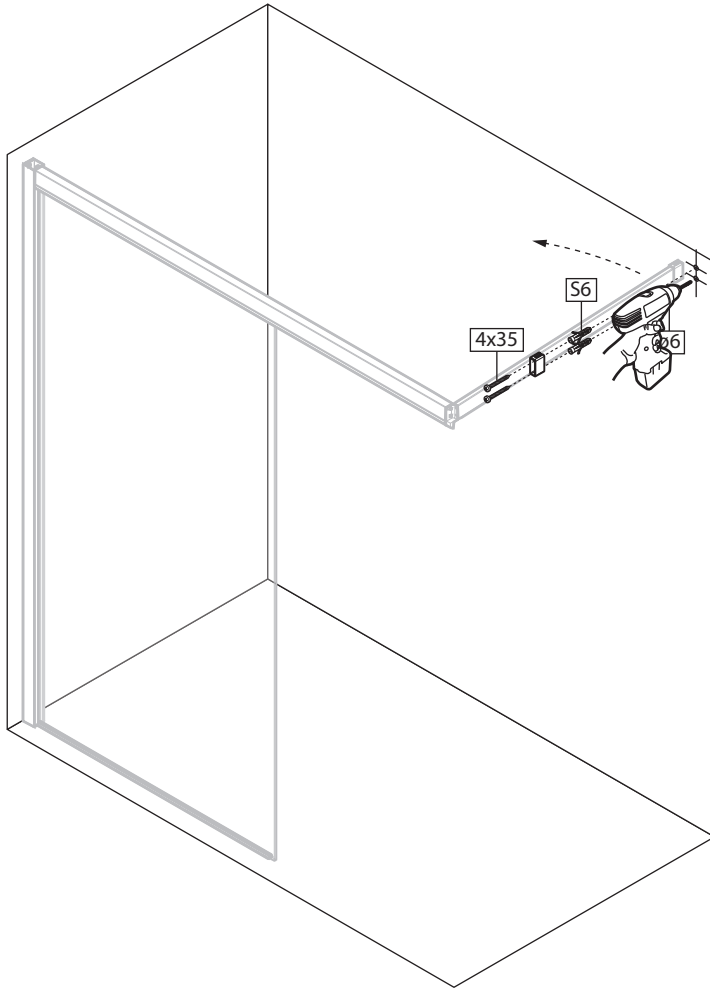
# 6



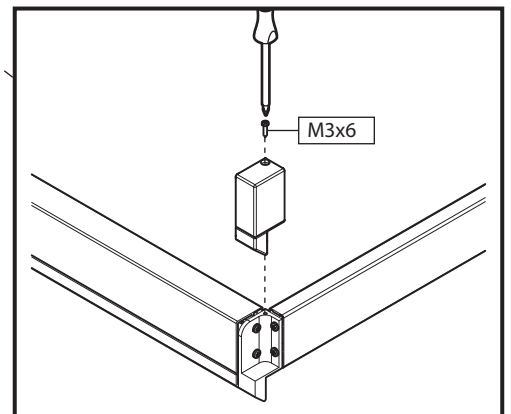
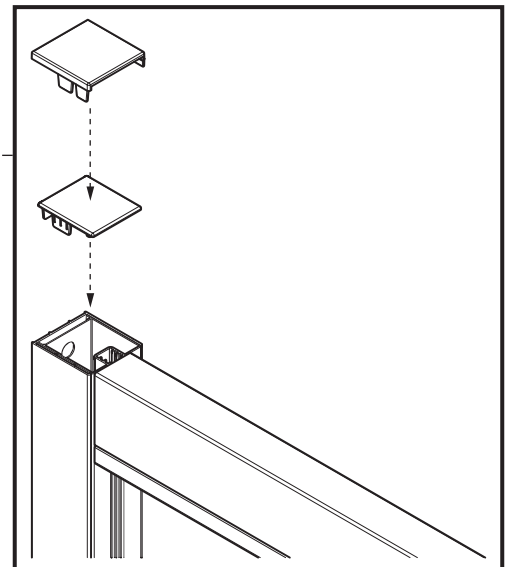
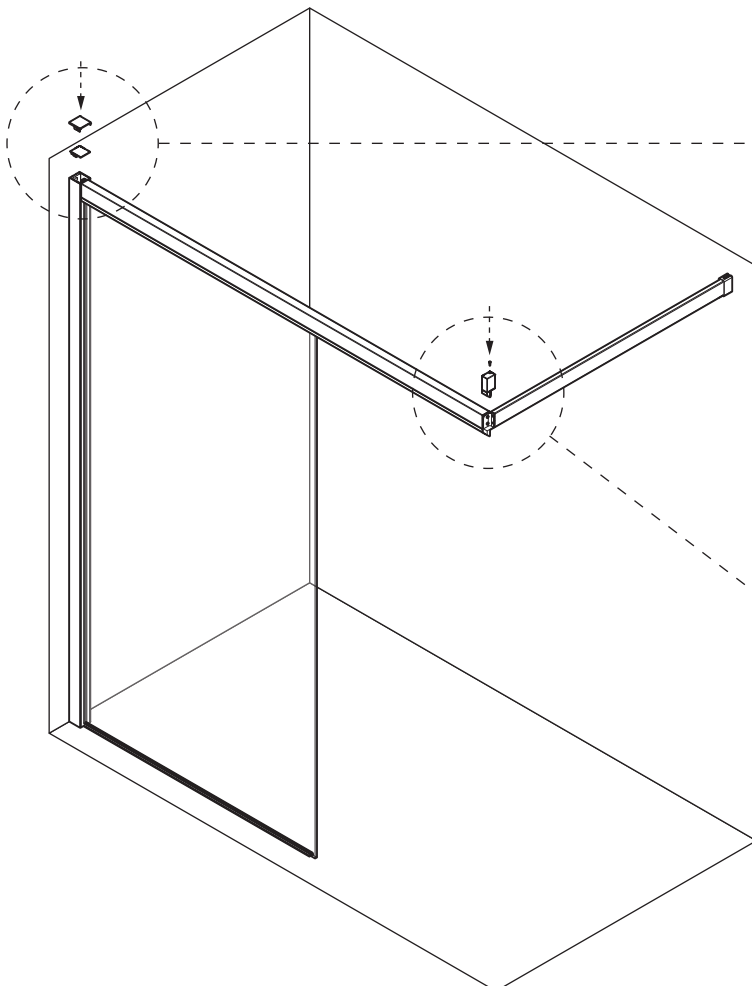
max 100 cm  
X mm - 10 mm



# 7

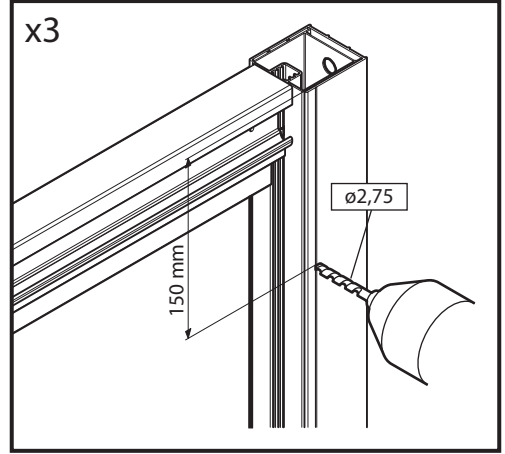
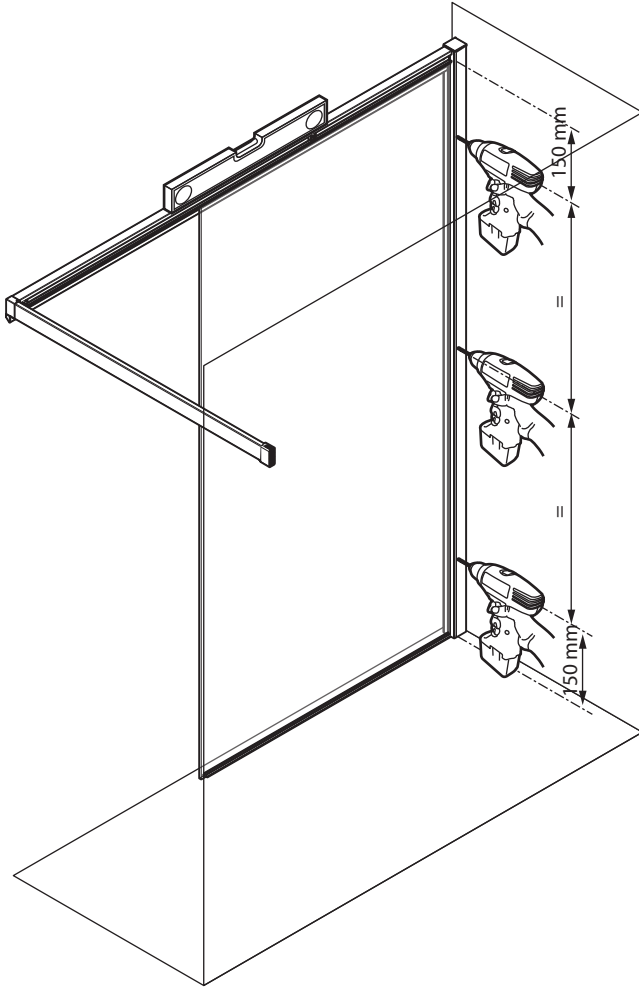


# 8

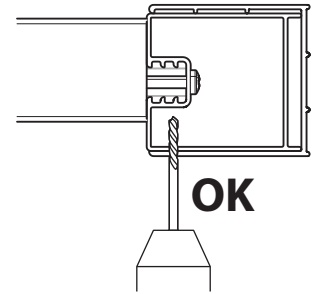
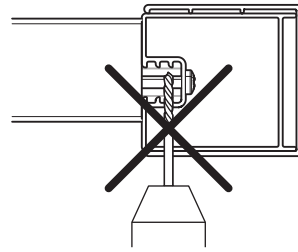


6

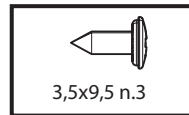
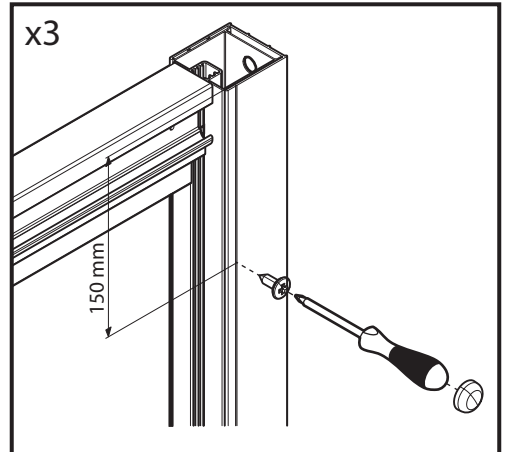
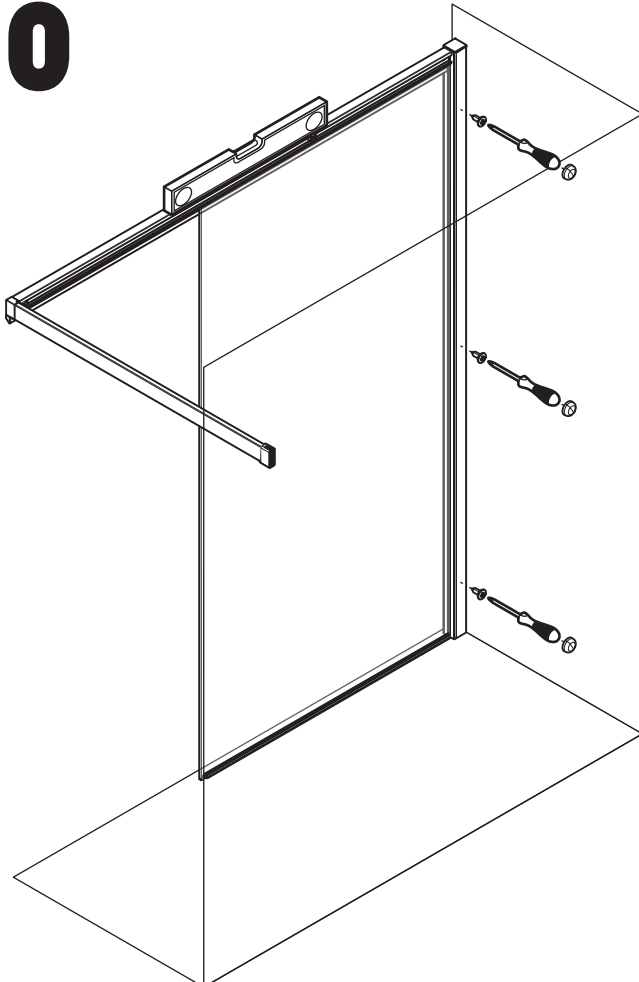
# 9



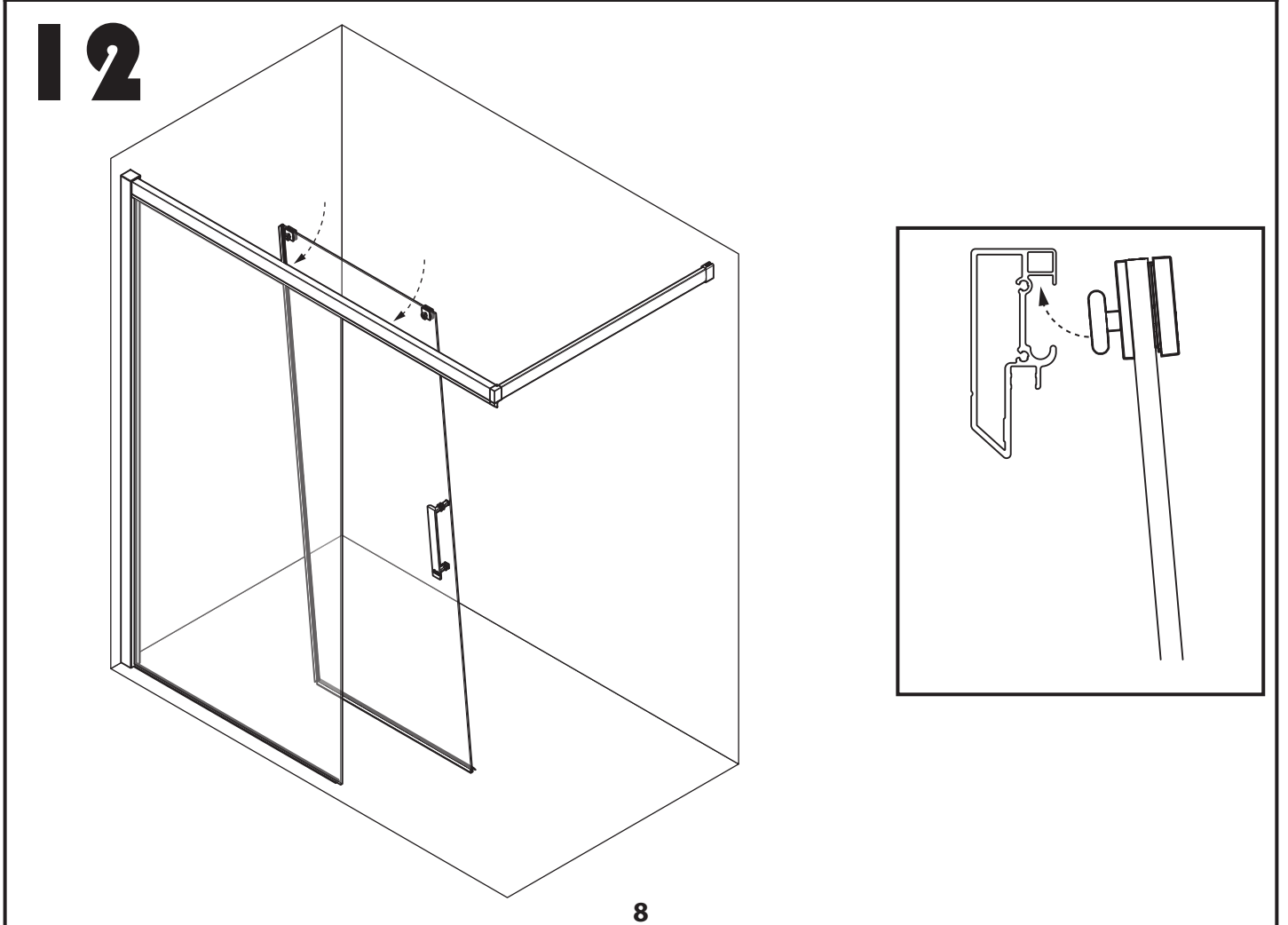
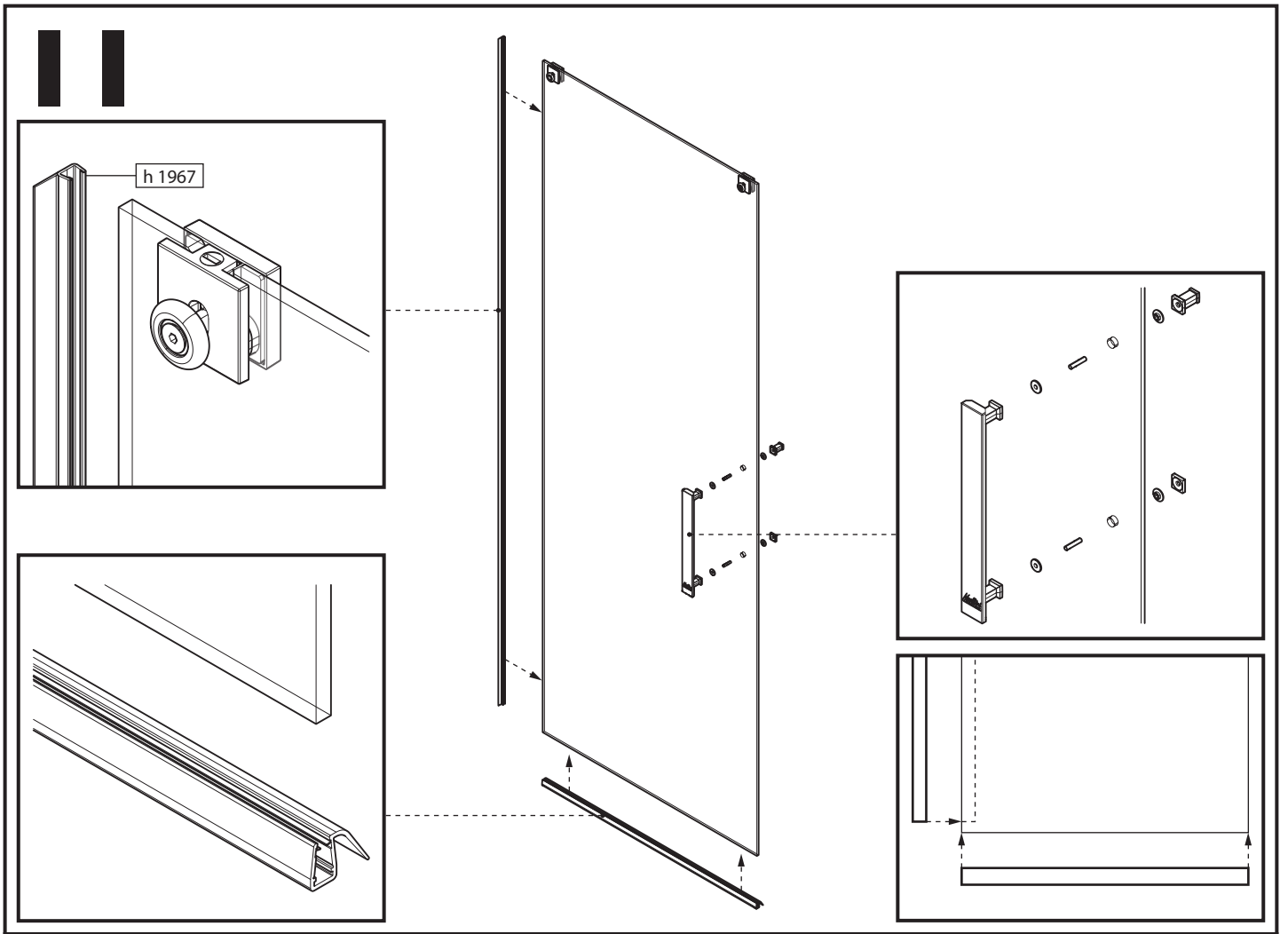
No!



# 10

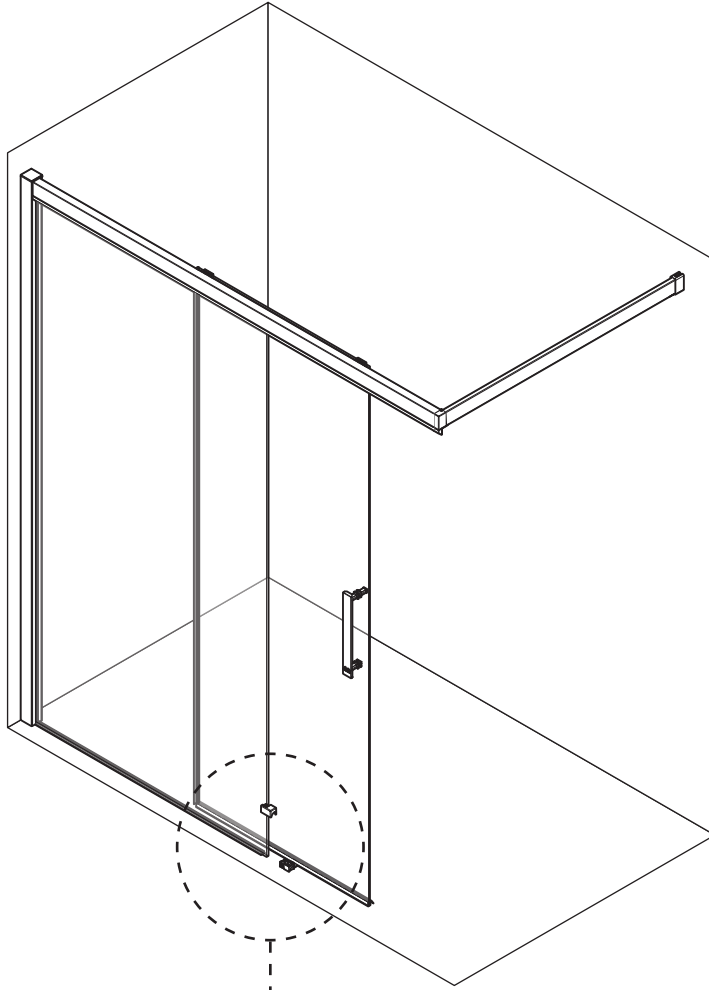


3,5x9,5 n.3

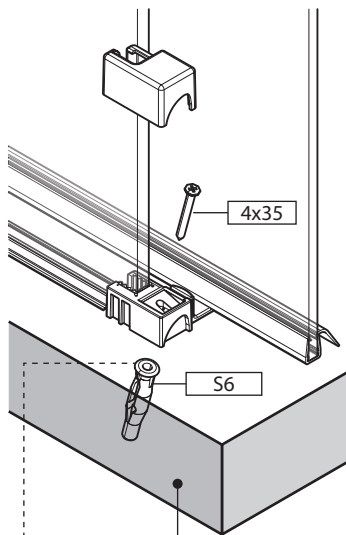




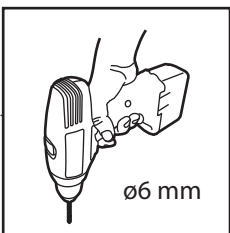
# 13



**A**

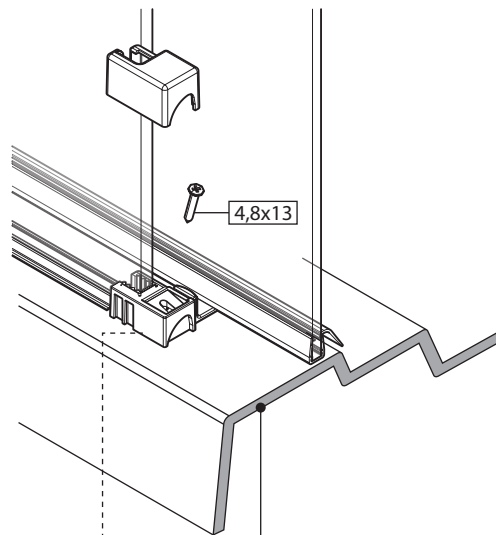


Concrete

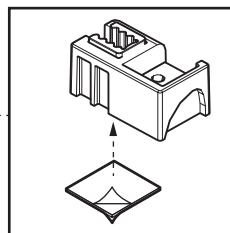


ø6 mm

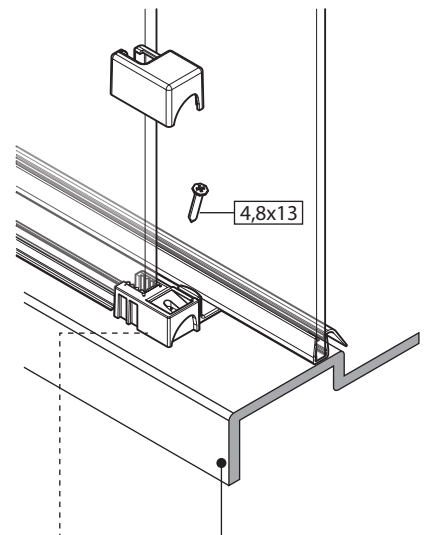
**B**



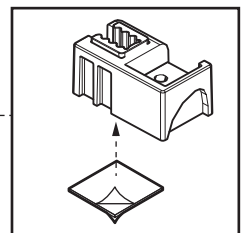
Acrylic



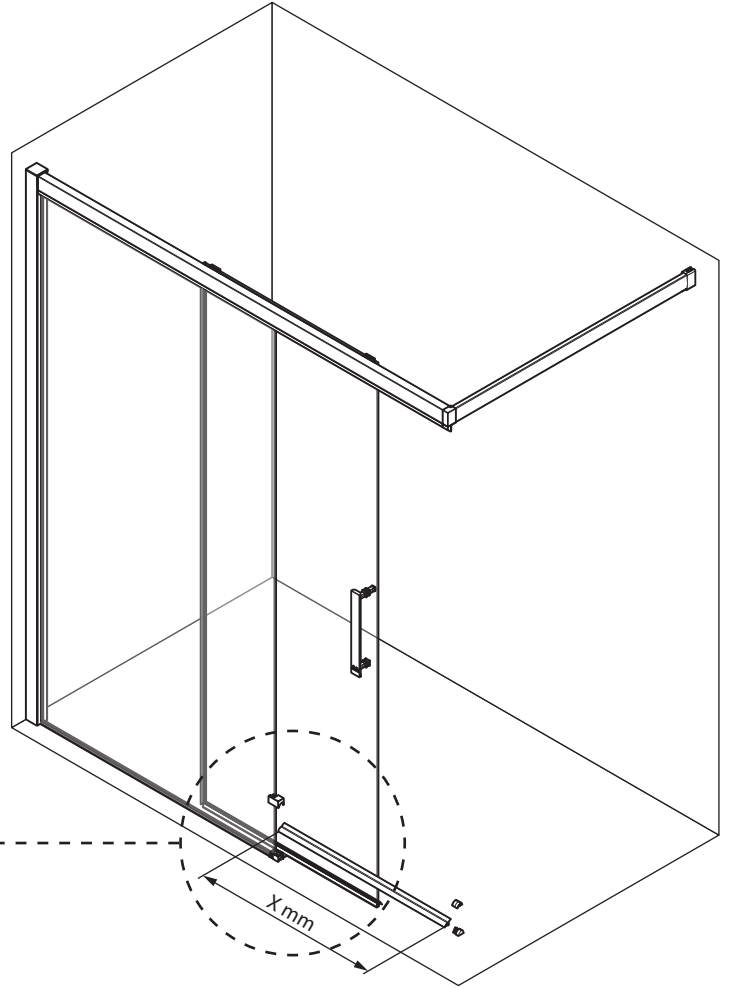
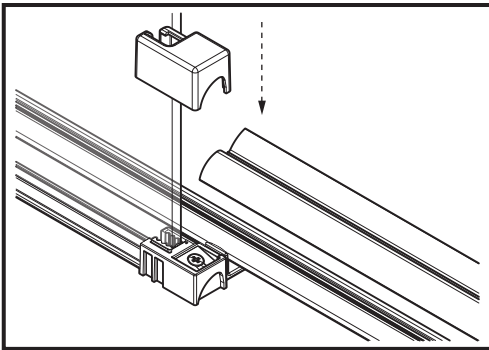
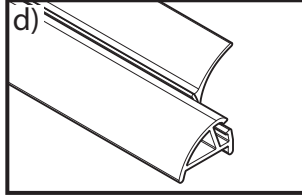
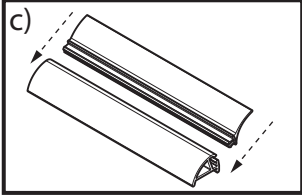
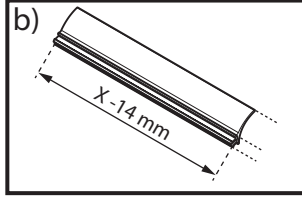
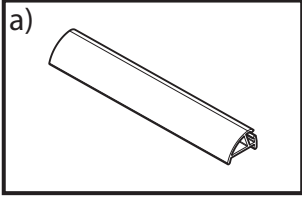
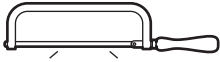
**C**



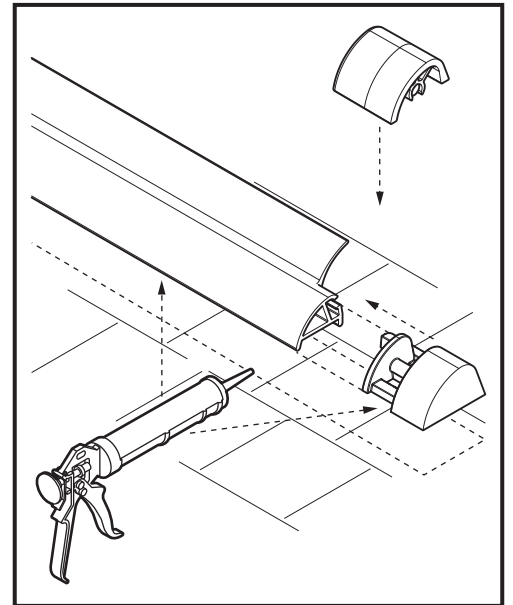
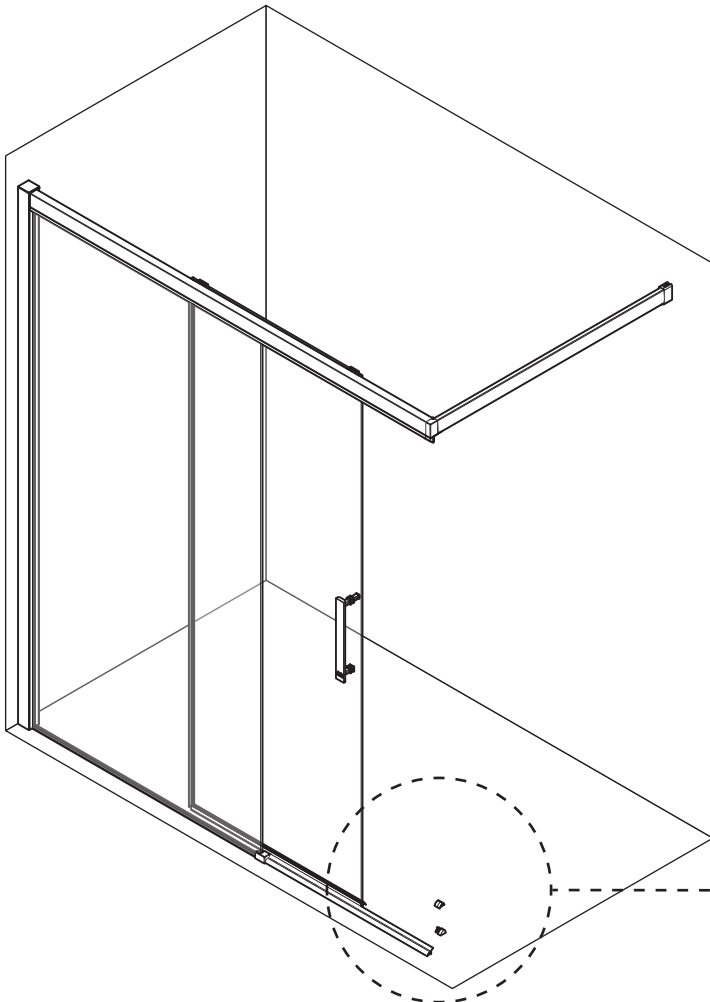
Ceramic



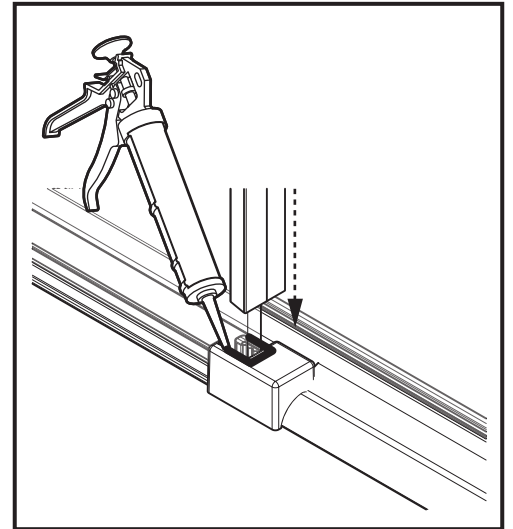
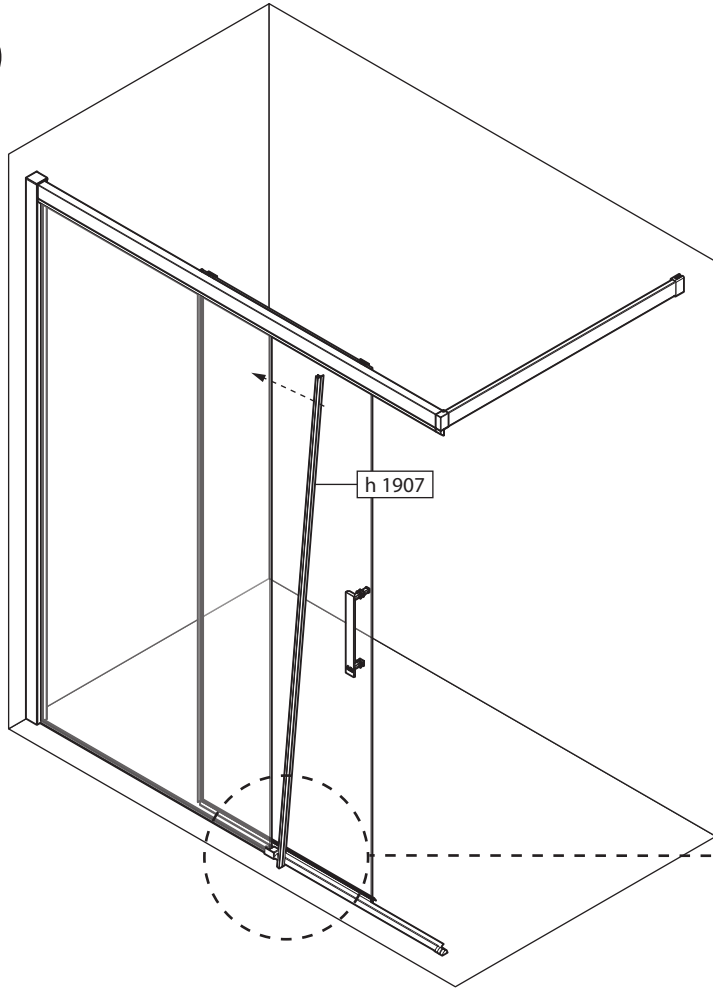
# 14



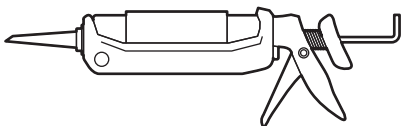
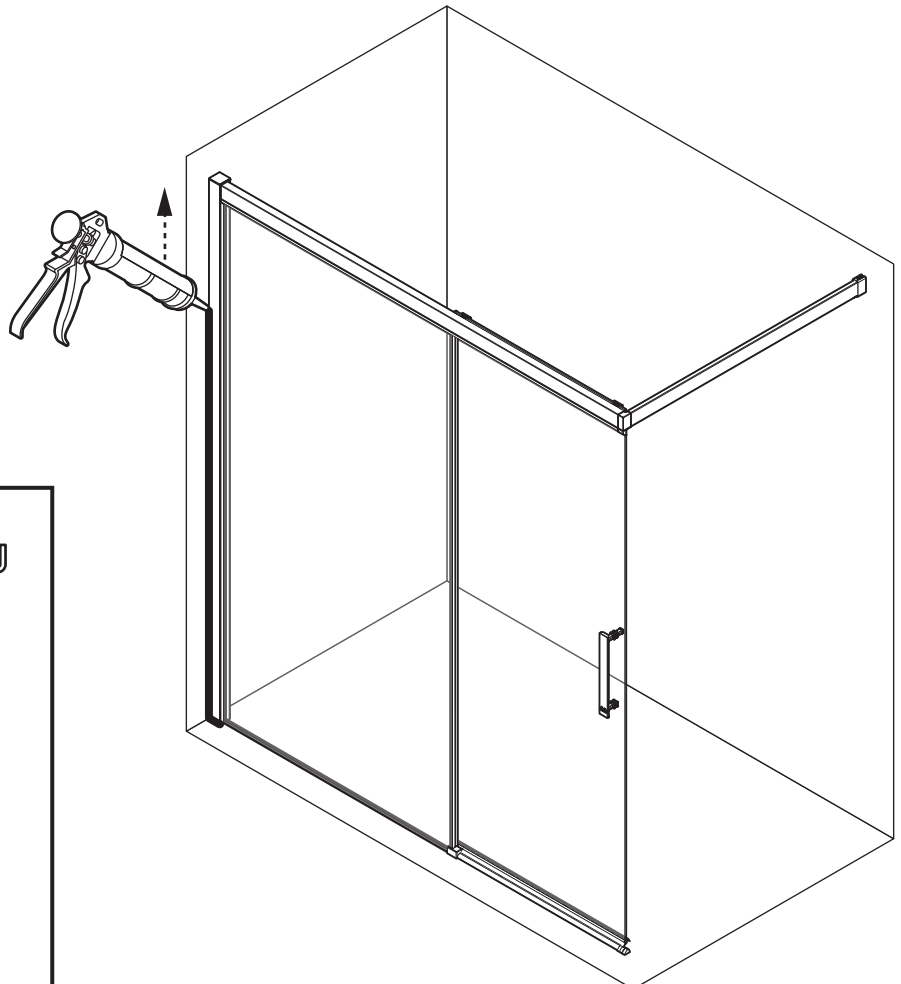
# 15



# 16



# 17



IT non acetico  
FR non acétique  
EN acetic-acid free  
DE nicht essigsäurevernetzend  
NL niet zuur  
ES no acético  
PT não acético  
CS neoctový  
SL ne ocaten  
HU nem ecetsavas  
PL nie octowy  
RU не уксусный

# 18

