

PRODUCT TECHNICAL SHEET

Collection : **RETRO**

Ref. : **6220.11.55**

Porte-papier toilette

Toiletpapier houder

Toilet paper holder

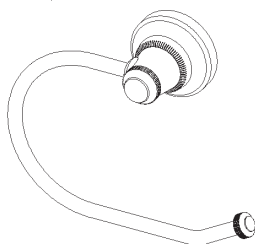
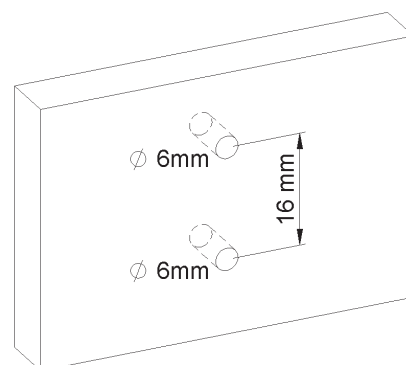
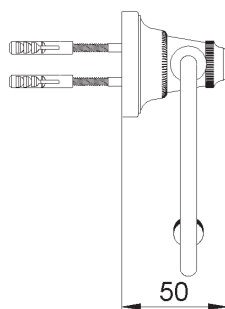
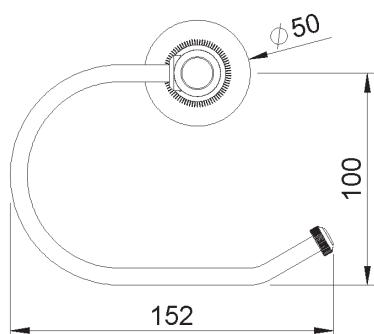
Picture

Product details

Weight : 0,51 kg



Technical drawing



RAO.V01