

Hotellerie

Design: Studio Inda

AV602S

Hotellerie Waste paper, waste baskets

AV602SAL
INDA ACCESSORIES Hotellerie Waste
paper, waste baskets Cm17X23 H25 AL



To Activate the interactive 3D view, you must trust this document (see hint on the top) in Adobe Acrobat and click on the question mark.

3D VIEW



Moves you toward or away from objects in the scene when you drag vertically. You can also zoom with the hand tool by holding down Shift as you drag.

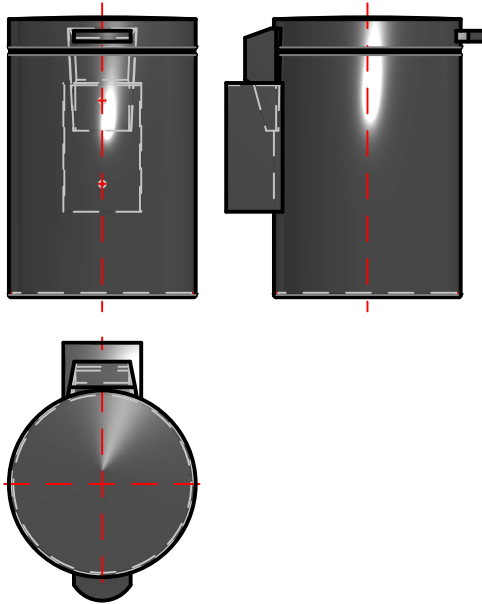


Moves the model vertically and horizontally only. You can also pan with the hand tool: Ctrl-drag.

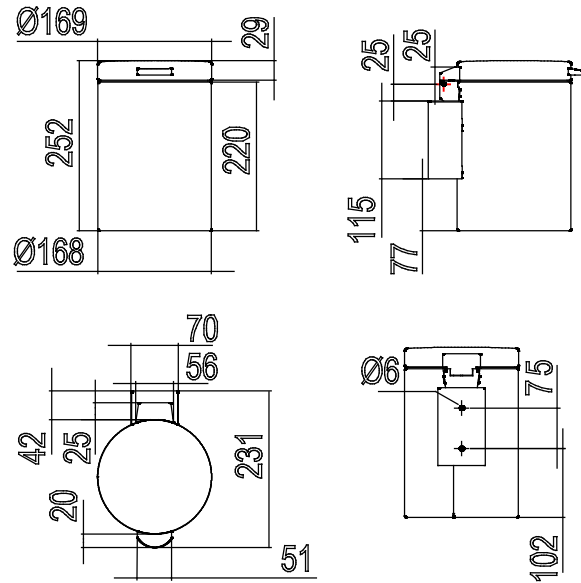


Turns 3D objects around relative to the screen. How the objects move depends on the starting view, where you start dragging and the direction in which you drag.

2D DERIVATION



TECHNICAL DRAWINGS



AVAILABLE FINISHES

AL_stainless steel

Code	AV602SAL
Material	Stainless steel AISI 304
Very short description 1	INDA Waste paper, waste baskets Cm17X23 H25
Very short description 2	Hotellerie AV602S 17X23 AL
Article description	INDA ACCESSORIES Hotellerie Waste paper, waste baskets Cm17X23 H25 AL
International code	EAN-13:8033163950020
Height [cm]	25
Width [cm]	17
Depth [cm]	23
Weight [kg]	0,78
Series	Hotellerie
LINE	Waste baskets
Model	AV602S
Intrastat code	73249000
URL link web site of the article	https://www.inda.net/
Design	Studio Inda