

Mito 2000

Design: Matteo Thun & Antonio
Rodriguez

A20100

Mito 2000 Tumbler holder

A20100CR21
INDA ACCESSORIES Mito 2000

Tumbler holder Cm8X12 H10 CR



To Activate the interactive 3D view, you must trust this document (see hint on the top) in Adobe Acrobat and click on the question mark.

3D VIEW



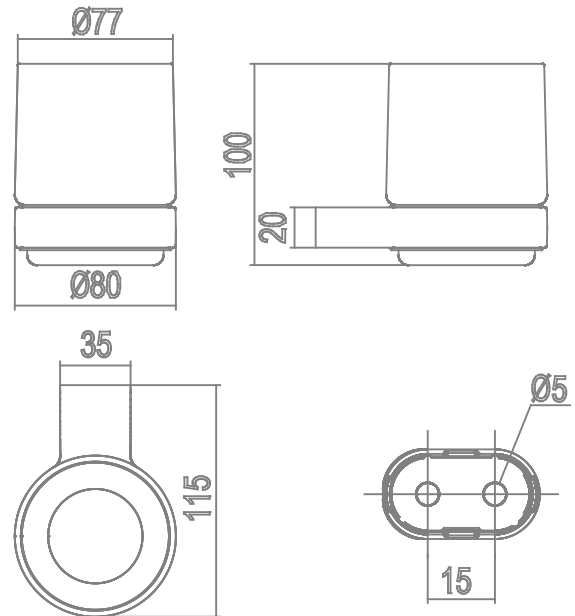
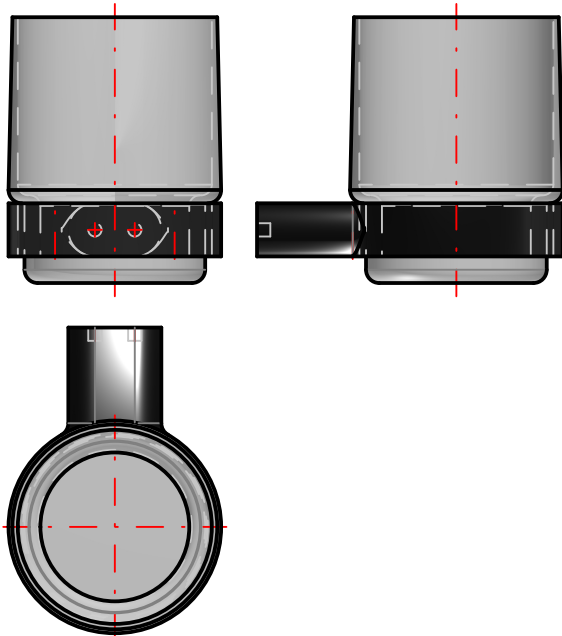
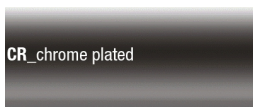
Moves you toward or away from objects in the scene when you drag vertically. You can also zoom with the hand tool by holding down Shift as you drag.



Moves the model vertically and horizontally only. You can also pan with the hand tool: Ctrl-drag.



Turns 3D objects around relative to the screen. How the objects move depends on the starting view, where you start dragging and the direction in which you drag.

2D DERIVATION
TECHNICAL DRAWINGS

AVAILABLE FINISHES


Code	A20100CR21
Material	Chrome-plated
Material	Satined glass
Very short description 1	INDA Tumbler holder Cm8X12 H10
Very short description 2	Mito 2000 A20100 8X12 CR
Article description	INDA ACCESSORIES Mito 2000 Tumbler holder Cm8X12 H10 CR
International code	EAN-13:8010359495763
Height [cm]	10
Width [cm]	8
Depth [cm]	12
Weight [kg]	0.345
Series	Mito 2000
LINE	Tumbler holder
Model	A20100
Intrastat code	79070000
Panel finishes	Satined glass
URL link web site of the article	https://www.inda.net/
Design	Matteo Thun & Antonio Rodriguez