

CARRÉ COLLECTION

CPVN1-ZB / CPVN2-ZB	CARRÉ VERTICAL	50
CRVN1-ZB	CARRÉ ROUND	53
CPHN1-RO / CPHN2-RO	CARRÉ HORIZONTAL	55
CB	CARRÉ BATHROOM	58
CR-O	CARRÉ HALF-ROUND	60
CR-A	CARRÉ QUARTER-ROUND	62
	FREE-STANDING INSTALLATION	64
	ACCESSORIES	65
	CONNECTIONS	66

CARRÉ



CARRÉ VERTICAL (CPVN1-ZB, CPVN2-ZB)

TYPES

- One (CPVN1-ZB) or two rows (CPVN2-ZB) of tubes

TUBES

- Vertical, square 25 x 25 mm

COLLECTORS

- Horizontal, round Ø 35 mm

COLOURS

- Standard colour white RAL 9016
- Not available in M350 (stainless steel look)
- Not available in S600 (fine texture white)
- Extensive colour chart see p. 6-7

SPECIAL

- CPVN2-ZB also available as free-standing radiator

BRACKETS

- Wall brackets standard

TECHNICAL

- Welded by means of resistance welding robots (invisible weld seams)
- KTL priming coat, powder coating
- Standard operating pressure: 10 bar
- Maximum operating temperature: 110°C

ELECTRICAL (see chapter electrical radiators)

Pure electrical radiator prefilled	✗
Pure electrical radiator to be filled	✗
Mixed radiator	✗

CONNECTION

One-point connection for one-pipe system (order as special radiator) (see p. 184)	✓
One-point connection for two-pipe system (order as special radiator) (see p. 184)	✓
Two-point connection for one-pipe system (connection by way of the central connection) (see p. 184)	✓
Two-point connection for two-pipe system (standard) (see p. 184)	✓
Integrated valve	✗

DELIVERY TERMS Transport duration not included !

- Stock radiators in RAL 9016 and M301: 5 working days
- Non-stock radiators: 15 to 30 working days, dependent on the type of radiator



CPVN1-ZB

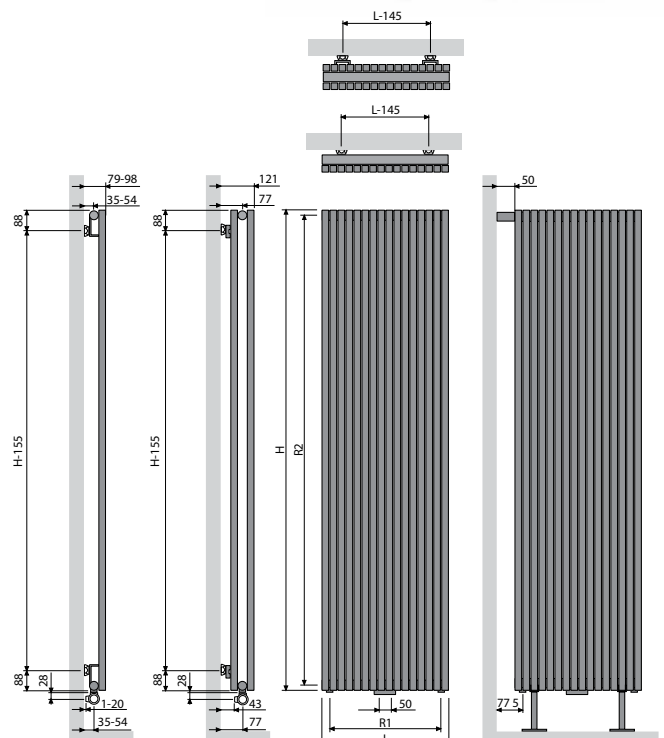


CPVN2-ZB

return supply



ref. nr. 118210300000099
Fittings, see p. 194



type	tubes (n)	width (L mm)	height (H mm)									
			1400	1600	1800	2000	2200	2400	2600	2800	3000	
REF. NR. 11135 CPVN1-ZB	10	295	75/65/20	656	794	888	990	1102	1224	1341	1458	1575
			90/70/20	828	997	1116	1249	1390	1542	1690	1837	1985
	12	355	75/65/20	787	953	1065	1188	1322	1469	1609	1750	1890
			90/70/20	993	1196	1339	1499	1668	1850	2027	2204	2382
	14	415	75/65/20	918	1112	1243	1386	1542	1714	1878	2041	2205
			90/70/20	1159	1396	1563	1749	1946	2159	2365	2572	2778
	16	475	75/65/20	1049	1270	1420	1584	1763	1958	2146	2333	2520
			90/70/20	1324	1595	1786	1999	2224	2467	2703	2939	3175
	18	535	75/65/20	1180	1429	1598	1782	1983	2203	2448	2682	2916
			90/70/20	1490	1794	2009	2248	2502	2776	3041	3307	3572
	20	595	75/65/20	1311	1588	1775	1980	2203	2448	2682	2916	3151
			90/70/20	1655	1994	2232	2498	2780	3084	3379	3674	3969
22	655	75/65/20	1443	1747	1953	2178	2424	2693	2950	3208	3466	
		90/70/20	1821	2193	2456	2748	3058	3392	3717	4041	4366	
24	715	75/65/20	1574	1906	2130	2376	2644	2938	3219	3500	3781	
		90/70/20	1986	2392	2679	2998	3336	3701	4055	4409	4763	
26	775	75/65/20	1705	2064	2308	2573	2864	3182	3487	3791	4096	
		90/70/20	2152	2592	2902	3248	3615	4009	4393	4776	5160	
30	895	75/65/20	1967	2382	2663	2969	3305	3672	4023	4375	4726	
		90/70/20	2483	2990	3349	3747	4171	4626	5069	5511	5954	
Watt/el. (75/65/20°C)			65,57	79,40	88,76	98,98	110,16	122,40	134,11	145,82	157,53	
Weight, kg/el.			1,45	1,56	1,77	1,99	2,27	2,56	2,84	3,12	3,40	
Water content, l/el.			0,60	0,84	0,94	1,04	1,20	1,37	1,53	1,69	1,85	
n-exponent			1,32	1,29	1,30	1,32	1,32	1,31	1,31	1,31	1,31	

CE 05 in conformity with EN442-1: radiators and convectors

STOCK RADIATORS (RAL 9016, M301)

type	width (L mm)	height (H mm)	colour	short ref. nr.
CPVN1-ZB	295	1800	9016	11135-01
	295	1800	0301	11135-03
	415	1800	9016	11135-10
	415	1800	0301	11135-12
	415	2000	9016	11135-16
	415	2000	0301	11135-18
	535	1800	9016	11135-22
	535	1800	0301	11135-24
	535	2000	9016	11135-28
	535	2000	0301	11135-30
	595	1800	9016	11135-34
	595	2000	9016	11135-37
	595	2000	0301	11135-39
	655	2000	9016	11135-49

	CPVN1-ZB / CPVN2-ZB									
	10	12	14	16	18	20	22	26	30	
Number of tubes (n)	10	12	14	16	18	20	22	26	30	
Width (L)	295	355	415	475	535	595	655	775	895	
Centre between the connections at the bottom 18 (R1)	240	300	360	420	480	540	600	720	840	
Height (H)	1400	1600	1800	2000	2200	2400	2600	2800	3000	
Centre between the lateral connections 23/67 (R2)	1365	1565	1765	1965	2165	2365	2565	2765	2965	
Centre between the brackets	L-145	H-155								

CARRÉ VERTICAL (CPVN2-ZB)

type	tubes (n)	width (L mm)	height (H mm)								
			1600	1800	2000	2200	2400	2600	2800	3000	
REF. NR. 11136 CPVN2-ZB	10	295	75/65/20	1062	1174	1279	1377	1469	1555	1635	1709
			90/70/20	1348	1489	1622	1747	1864	1973	2074	2168
	12	355	75/65/20	1275	1409	1534	1652	1763	1866	1962	2050
			90/70/20	1617	1787	1947	2096	2237	2367	2489	2601
	14	415	75/65/20	1487	1643	1790	1928	2057	2177	2289	2392
			90/70/20	1887	2085	2271	2446	2609	2762	2904	3035
	16	475	75/65/20	1700	1878	2046	2203	2351	2488	2616	2734
			90/70/20	2157	2383	2596	2795	2982	3156	3318	3468
	18	535	75/65/20	1912	2113	2301	2479	2644	2799	2942	3075
			90/70/20	2426	2681	2920	3145	3355	3551	3733	3902
20	595	75/65/20	2125	2348	2557	2754	2938	3110	3269	3417	
		90/70/20	2696	2978	3244	3494	3728	3945	4148	4335	
22	655	75/65/20	2337	2582	2813	3029	3232	3421	3596	3759	
		90/70/20	2965	3276	3569	3843	4101	4340	4563	4769	
24	715	75/65/20	2550	2817	3069	3305	3526	3732	3923	4101	
		90/70/20	3235	3574	3893	4193	4473	4734	4978	5202	
26	775	75/65/20	2762	3052	3324	3580	3820	4043	4250	4442	
		90/70/20	3505	3872	4218	4542	4846	5129	5392	5636	
30	895	75/65/20	3187	3521	3836	4131	4407	4665			
		90/70/20	4044	4468	4867	5241	5592	5918			
Watt/el. (75/65/20°C)			106,24	117,38	127,86	137,70	146,91	155,49	163,47	170,86	
Weight, kg/el.			3,02	3,38	3,73	4,06	4,38	4,71	5,03	5,36	
Water content, l/el.			1,58	1,79	2,01	2,13	2,26	2,39	2,51	2,64	
n-exponent			1,35	1,35	1,35	1,35	1,35	1,35	1,35	1,35	

CE 05 in conformity with EN442-1: radiators and convectors

STOCK RADIATORS (RAL 9016)

type	width (L mm)	height (H mm)	colour	short ref. nr.
CPVN2-ZB	415	2000	9016	11136-01
	535	2000	9016	11136-07
	655	2000	9016	11136-13
	895	2000	9016	11136-19

CARRÉ ROUND (CRVN1-ZB)

TUBES

- Vertical, square 25 x 25 mm

COLLECTORS

- Horizontal, round Ø 35 mm

COLOURS

- Standard colour white RAL 9016
- Not available in M350 (stainless steel look)
- Not available in S600 (fine texture white)
- Extensive colour chart see p. 6-7

SPECIAL

- The vertical tubes of type CRVN1-ZB are slightly bent (10°).

BRACKETS

- Wall brackets standard

TECHNICAL

- Welded by means of resistance welding robots (invisible weld seams)
- KTL priming coat, powder coating
- Standard operating pressure: 10 bar
- Maximum operating temperature: 110°C

ELECTRICAL (see chapter electrical radiators)

Pure electrical radiator prefilled	✗
Pure electrical radiator to be filled	✗
Mixed radiator	✗

CONNECTION

One-point connection for one-pipe system	✗
One-point connection for two-pipe system	✗
Two-point connection for one-pipe system (connection by way of the central connection) (see p. 184)	✓
Two-point connection for two-pipe system (standard) (see p. 184)	✓
Integrated valve	✗

DELIVERY TERMS Transport duration not included !

- 15 to 30 working days, dependent on the type of radiator

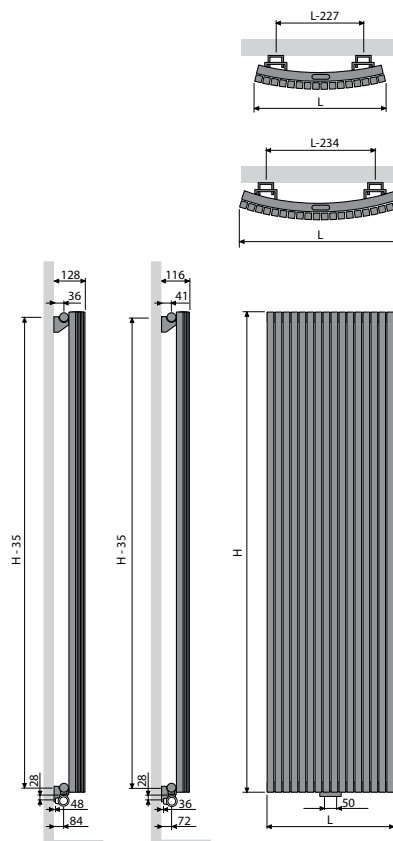


CRVN1-ZB

return supply



ref. nr. 118210300000099
Fittings, see p. 194



	CRVN1-ZB		
Number of tubes (n)	16	20	
Width (L)	492	612	
Centre between the connections	50		
Centre between the brackets	L-227	L-234	H-35

CARRÉ ROUND (CRVN1-ZB)

type	tubes (n)	width (L mm)		height (H mm)			
				1600	1800	2000	2200
REF. NR. 11141	16	492	75/65/20	1410	1569	1719	1860
			90/70/20	1771	1970	2162	2327
CRVN1-ZB	20	612	75/65/20	1763	1961	2149	2326
			90/70/20	2213	2462	2702	2909
			Watt/el. (75/65/20°C)	88,15	98,06	107,44	116,28
			Weight, kg/el.	1,54	1,69	1,83	2,05
			Water content, l/el.	0,81	0,89	0,96	1,11
			n-exponent	1,29	1,29	1,30	1,27

CE05 in conformity with EN442-1: radiators and convectors

CARRÉ HORIZONTAL (CPHN1-RO, CPHN2-RO)

TYPES

- One (CPHN1-RO) or two rows (CPHN2-RO) of tubes

TUBES

- Horizontal, square 25 x 25 mm

COLLECTORS

- Vertical, round Ø 35 mm

COLOURS

- Standard colour white RAL 9016
- Not available in M350 (stainless steel look)
- Not available in S600 (fine texture white)
- Extensive colour chart see p. 6-7

SPECIAL

- CPHN1-RO also available as toilet radiator (600 x 415 mm)

BRACKETS

- Wall brackets standard

TECHNICAL

- Welded by means of resistance welding robots (invisible weld seams)
- KTL priming coat, powder coating
- Standard operating pressure: 10 bar
- Maximum operating temperature: 110°C

ELECTRICAL (see chapter electrical radiators)

Pure electrical radiator prefilled	✗
Pure electrical radiator to be filled	✗
Mixed radiator	✗

CONNECTION

One-point connection for one-pipe system (order as special radiator) (see p. 184)	✓
One-point connection for two-pipe system (order as special radiator) (see p. 184)	✓
Two-point connection for one-pipe system	✗
Two-point connection for two-pipe system (standard) (see p. 184)	✓
Integrated valve	✗

DELIVERY TERMS Transport duration not included !

- 15 to 30 working days, dependent on the type of radiator



CPHN1-RO



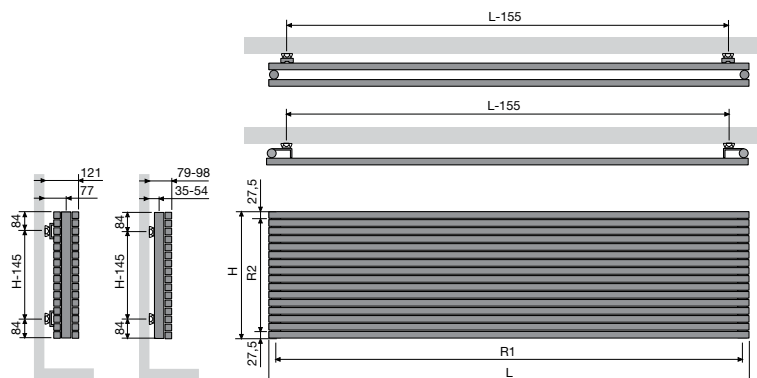
CPHN2-RO



ref. nr. 118210100000099
Fittings, see p. 194

	CPHN1-RO / CPHN2-RO												
Width (L)	600	800	1000	1200	1400	1600	1800	2000	2200	2400	2600	2800	3000
Centre between the connections at the bottom 18 (R1)	565	765	965	1165	1365	1565	1765	1965	2165	2365	2565	2765	2965
Height (H)	295	355	415	475	535	595	655	775	895				
Centre between the lateral connections 23/67 (R2)	240	300	360	420	480	540	600	720	840				
Centre between the brackets	L-155	H-145											

In case of a welded connection: the length of the radiator changes into L+16.5 mm.



CARRÉ HORIZONTAL (CPHN1-RO)

type	width (L mm)	tubes (n) / height (H mm)									
		10 295	12 355	14 415	16 475	18 535	20 595	22 655	26 775	30 895	
REF. NR. 11133 CPHN1-RO	600	75/65/20	221	259	296	333	369	404	439	507	574
		90/70/20	276	323	370	415	460	503	548	633	717
	800	75/65/20	295	346	395	444	492	538	585	676	766
		90/70/20	368	431	493	554	614	671	730	844	956
	1000	75/65/20	369	432	494	555	615	673	731	845	957
		90/70/20	460	539	616	692	767	839	913	1055	1195
	1200	75/65/20	443	518	593	666	738	808	877	1014	1148
		90/70/20	552	647	739	830	920	1007	1096	1266	1434
	1400	75/65/20	517	605	692	777	861	942	1023	1183	1340
		90/70/20	644	755	862	969	1074	1175	1278	1477	1673
	1600	75/65/20	590	691	790	888	984	1077	1170	1352	1531
		90/70/20	736	862	986	1107	1227	1342	1461	1688	1912
	1800	75/65/20	664	778	889	999	1107	1211	1316	1521	1723
		90/70/20	828	970	1109	1246	1381	1510	1643	1899	2151
	2000	75/65/20	738	864	988	1110	1230	1346	1462	1690	1914
		90/70/20	920	1078	1232	1384	1534	1678	1826	2110	2390
	2200	75/65/20	812	950	1087	1221	1353	1481	1608	1859	2105
		90/70/20	1012	1186	1355	1522	1687	1846	2009	2321	2629
	2400	75/65/20	886	1037	1186	1332	1476	1615	1754	2028	2297
		90/70/20	1104	1294	1478	1661	1841	2014	2191	2532	2868
2600	75/65/20	959	1123	1284	1443	1599	1750	1901	2197	2488	
	90/70/20	1196	1401	1602	1799	1994	2181	2374	2743	3107	
2800	75/65/20	1033	1210	1383	1554	1722	1884	2047	2366	2680	
	90/70/20	1288	1509	1725	1938	2148	2349	2556	2954	3346	
3000	75/65/20	1107	1296	1482	1665	1845	2019	2193	2535	2871	
	90/70/20	1380	1617	1848	2076	2301	2517	2739	3165	3585	
	Watt/m. (75/65/20°C)	369	432	494	555	615	673	731	845	957	
	Weight, kg/m.	10,31	12,35	14,39	16,43	18,46	20,50	22,37	26,11	29,85	
	Water content, l/m.	4,75	6,00	7,25	8,50	9,75	11,00	11,57	12,71	13,85	
	n-exponent	1,25	1,25	1,25	1,25	1,25	1,25	1,26	1,26	1,26	

CE05 in conformity with EN442-1: radiators and convectors

CARRÉ HORIZONTAL (CPHN2-RO)

type	width (L mm)	tubes (n) / height (H mm)									
		10 295	12 355	14 415	16 475	18 535	20 595	22 655	26 775	30 895	
REF. NR. 11134 CPHN2-RO	600	75/65/20	377	459	539	617	693	766	836	967	1087
		90/70/20	470	572	675	773	870	963	1051	1216	1366
	800	75/65/20	503	612	719	823	924	1021	1114	1290	1449
		90/70/20	626	763	900	1031	1160	1284	1402	1622	1822
	1000	75/65/20	629	765	899	1029	1155	1276	1393	1612	1811
		90/70/20	783	954	1125	1289	1450	1605	1752	2027	2277
	1200	75/65/20	755	918	1079	1235	1386	1531	1672	1934	2173
		90/70/20	940	1145	1350	1547	1740	1926	2102	2432	2732
	1400	75/65/20	881	1071	1259	1441	1617	1786	1950	2257	2535
		90/70/20	1096	1336	1575	1805	2030	2247	2453	2838	3188
	1600	75/65/20	1006	1224	1438	1646	1848	2042	2229	2579	2898
		90/70/20	1253	1526	1800	2062	2320	2568	2803	3243	3643
	1800	75/65/20	1132	1377	1618	1852	2079	2297	2507	2902	3260
		90/70/20	1409	1717	2025	2320	2610	2889	3154	3649	4099
	2000	75/65/20	1258	1530	1798	2058	2310	2552	2786	3224	3622
		90/70/20	1566	1908	2250	2578	2900	3210	3504	4054	4554
2200	75/65/20	1384	1683	1978	2264	2541	2807	3065	3546	3984	
	90/70/20	1723	2099	2475	2836	3190	3531	3854	4459	5009	
2400	75/65/20	1510	1836	2158	2470	2772	3062	3343	3869		
	90/70/20	1879	2290	2700	3094	3480	3852	4205	4865		
2600	75/65/20	1635	1989	2337	2675	3003	3318	3622	4191		
	90/70/20	2036	2480	2925	3351	3770	4173	4555	5270		
2800	75/65/20	1761	2142	2517	2881	3234	3573	3900			
	90/70/20	2192	2671	3150	3609	4060	4494	4906			
3000	75/65/20	1887	2295	2697	3087	3465	3828	4179			
	90/70/20	2349	2862	3375	3867	4350	4815	5256			
	Watt/m. (75/65/20°C)	629	765	899	1029	1155	1276	1393	1612	1811	
	Weight, kg/m.	19,90	23,76	27,62	31,48	35,34	39,20	43,04	50,84	58,60	
	Water content, l/m.	10,10	12,12	14,14	16,16	18,18	20,20	22,36	26,56	30,80	
	n-exponent	1,24	1,25	1,27	1,28	1,29	1,30	1,30	1,30	1,30	

CE 05 in conformity with EN442-1: radiators and convectors

CARRÉ BATHROOM (CB)

type	width (L mm)	height (H mm)	75/65/20 (Watt)	90/70/20 (Watt)	n-exp.	weight (kg)	water content (l)	tubes (n)	electr. resistance (Watt)
REF. NR. 11128 CB	500	745	438	543	1,22	12,80	6,20	21	300
	600	745	521	647	1,23	14,35	7,30	21	500
	500	1375	747	928	1,23	22,95	11,80	40	750
	600	1375	886	1101	1,23	27,35	13,90	40	750
	500	1735	925	1149	1,23	29,00	14,80	50	1000
	600	1735	1089	1353	1,23	33,35	17,20	50	1000

CE in conformity with EN442-1: radiators and convectors

STOCK RADIATORS (RAL 9016, M301)

type	width (L mm)	height (H mm)	colour	short ref. nr.
CB	500	1375	9016	11128-12
	500	1375	0301	11128-08
	500	1735	9016	11128-21
	500	1735	0301	11128-17
	600	1375	9016	11128-15
	600	1375	0301	11128-01
	600	1735	9016	11128-24
	600	1735	0301	11128-04

TUBES

- Horizontal, square 25 x 25 mm

COLLECTORS

- Vertical, round Ø 35 mm

COLOURS

- Standard colour white RAL 9016
- Not available in M350 (stainless steel look)
- Not available in S600 (fine texture white)
- Extensive colour chart see p. 6-7

BRACKETS

- Wall brackets standard

TECHNICAL

- Welded by means of resistance welding robots (invisible weld seams)
- KTL priming coat, powder coating
- Standard operating pressure: 10 bar
- Maximum operating temperature: 110°C

ELECTRICAL (see chapter electrical radiators)

Pure electrical radiator prefilled	✓
Pure electrical radiator to be filled	✓
Mixed radiator	✓

CONNECTION

One-point connection for one-pipe system	✗
One-point connection for two-pipe system	✗
Two-point connection for one-pipe system	✗
Two-point connection for two-pipe system (standard) (see p. 184)	✓
Integrated valve	✗

- For connection at the top 45, 54 a special flow tube has to be ordered separately, which needs to be mounted in the return, see p. 187.

DELIVERY TERMS Transport duration not included !

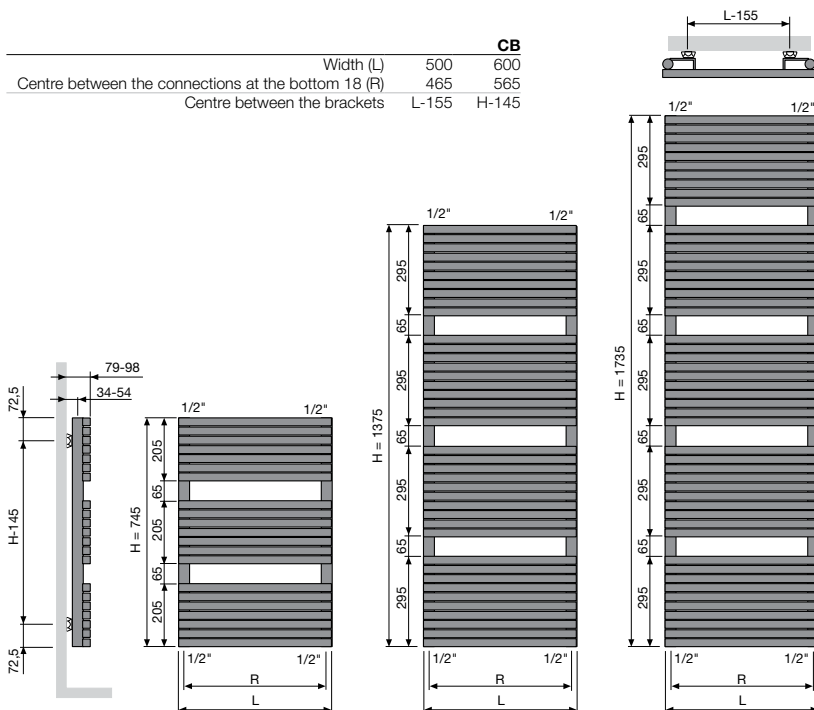
- Stock radiators in RAL 9016 and M301: 5 working days
- Non-stock radiators: 15 to 30 working days, dependent on the type of radiator



CB



ref. nr. 118210100000099
Fittings, see p. 194



CARRÉ HALF-ROUND (CR-O)

type	width (L mm)	height (H mm)	75/65/20 (Watt)	90/70/20 (Watt)	n-exp.	weight (kg)	water content (l)	tubes (n)	electr. resistance (Watt)
REF. NR. 11140 CR-O	350	1400	1225	1532	1,27	22,70	12,00	16	-
	350	1800	1528	1911	1,27	27,85	15,20	16	-
	350	2000	1676	2097	1,27	31,18	16,85	16	-
	350	2200	1823	2280	1,27	34,50	18,50	16	-
	430	1400	1588	1983	1,26	28,45	15,05	20	-
	430	1800	1981	2474	1,26	35,60	18,95	20	-
	430	2000	2174	2715	1,26	39,83	21,05	20	-
	430	2200	2364	2952	1,26	44,05	23,15	20	-

CE 05 in conformity with EN442-1: radiators and convectors

STOCK RADIATORS (RAL 9016, M301)

type	width (L mm)	height (H mm)	colour	short ref. nr.
CR-O	350	1800	9016	11140-06
	350	1800	0301	11140-01

	CR-O	
Width (L)	350	430
Centre between the connections at the bottom 18 (R)	249	333
Centre between the brackets	H-35	

CARRÉ HALF-ROUND (CR-O)

TUBES

- Vertical, square 25 x 25 mm

COLLECTORS

- Horizontal, round Ø 35 mm

COLOURS

- Standard colour white RAL 9016
- Not available in M350 (stainless steel look)
- Not available in S600 (fine texture white)
- Extensive colour chart see p. 6-7

SPECIAL

- Available in 2 versions: R150 and R190

BRACKETS

- Wall brackets standard

TECHNICAL

- Welded by means of resistance welding robots (invisible weld seams)
- KTL priming coat, powder coating
- Standard operating pressure: 10 bar
- Maximum operating temperature: 110°C

ELECTRICAL (see chapter electrical radiators)

Pure electrical radiator prefilled	✗
Pure electrical radiator to be filled	✗
Mixed radiator	✗

CONNECTION

One-point connection for one-pipe system	✗
One-point connection for two-pipe system	✗
Two-point connection for one-pipe system	✗
Two-point connection for two-pipe system (standard) (see p. 184)	✓
Integrated valve	✗

DELIVERY TERMS Transport duration not included !

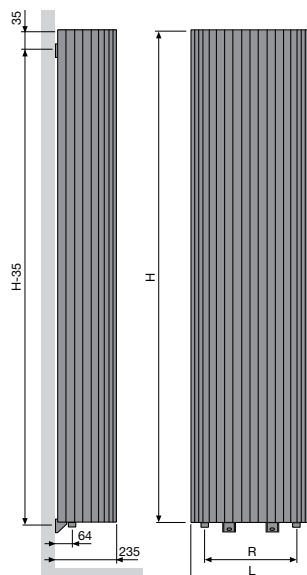
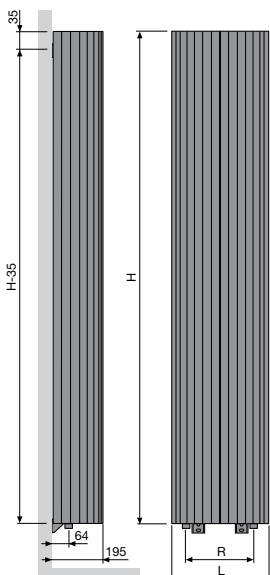
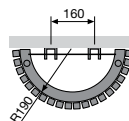
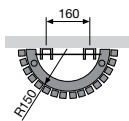
- Stock radiators in RAL 9016 and M301: 5 working days
- Non-stock radiators: 15 to 30 working days, dependent on the type of radiator



CR-O



ref. nr. 118210100000099
Fittings, see p. 194



CARRÉ QUARTER-ROUND (CR-A)

type	width (L mm)	height (H mm)	75/65/20 (Watt)	90/70/20 (Watt)	n-exp.	weight (kg)	water content (l)	tubes (n)	electr. resistance (Watt)
REF. NR. 11137 CR-A	244	1400	610	766	1,29	11,30	5,50	8	-
	244	1800	785	984	1,28	14,30	6,00	8	-
	244	2000	862	1080	1,28	16,00	7,15	8	-
	244	2200	933	1169	1,28	17,70	8,30	8	-
	298	1400	810	1011	1,26	14,25	7,50	10	-
	298	1800	963	1205	1,27	17,75	9,50	10	-
	298	2000	1095	1370	1,27	19,78	10,55	10	-
	298	2200	1227	1532	1,26	21,80	11,60	10	-

CE 05 in conformity with EN442-1: radiators and convectors

STOCK RADIATORS (RAL 9016)

type	width (L mm)	height (H mm)	colour	short ref. nr.
CR-A	298	1800	9016	11137-06

		CR-A
Width (L)	244	298
Centre between the connections at the bottom 18 (R)	112	171
Centre between the brackets	H-35	

CARRÉ QUARTER-ROUND (CR-A)

TUBES

- Vertical, square 25 x 25 mm

COLLECTORS

- Horizontal, round Ø 35 mm

COLOURS

- Standard colour white RAL 9016
- Not available in M350 (stainless steel look)
- Not available in S600 (fine texture white)
- Extensive colour chart see p. 6-7

SPECIAL

- Available in 2 versions: R150 and R190

BRACKETS

- Wall brackets standard

TECHNICAL

- Welded by means of resistance welding robots (invisible weld seams)
- KTL priming coat, powder coating
- Standard operating pressure: 10 bar
- Maximum operating temperature: 110°C

ELECTRICAL (see chapter electrical radiators)

Pure electrical radiator prefilled	✗
Pure electrical radiator to be filled	✗
Mixed radiator	✗

CONNECTION

One-point connection for one-pipe system	✗
One-point connection for two-pipe system	✗
Two-point connection for one-pipe system	✗
Two-point connection for two-pipe system (standard) (see p. 184)	✓
Integrated valve	✗

DELIVERY TERMS Transport duration not included !

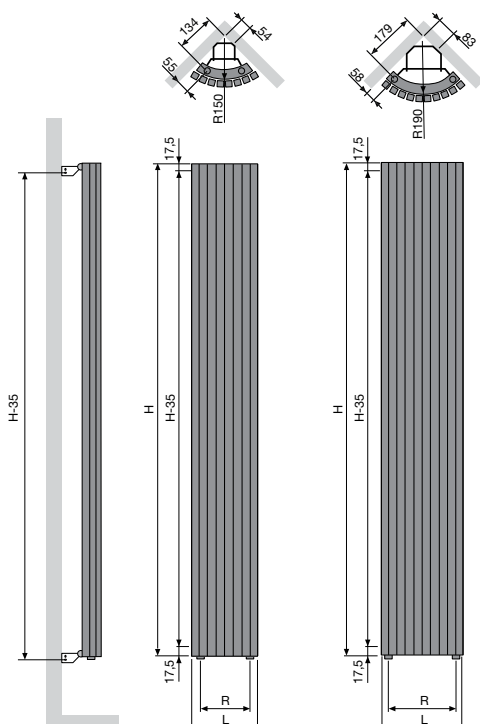
- Stock radiators in white (RAL 9016): 5 working days
- Non-stock radiators: 15 to 30 working days, dependent on the type of radiator



CR-A



ref. nr. 118210100000099
Fittings, see p. 194








CARRÉ FREE-STANDING INSTALLATION

IN OPTION

FREE-STANDING INSTALLATION	COLOUR	REFNR.
----------------------------	--------	--------

FREE-STANDING INSTALLATION		CPVN2-ZB
		RAL 9016
		*
	COLOUR	*

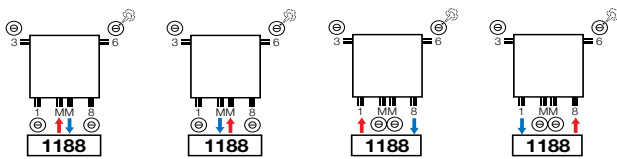
- free-standing radiators in the colour RAL 9016 and Pergamon: 1 separate lateral support, 2 feet (H=150 mm) and 2 rosetts in the colour of the radiator.
 - free-standing radiators in other colours: 1 separate lateral support, 2 feet (H=150 mm) in the colour of the radiator and 2 chrome plated rosetts.
- * Please indicate **code 01** for "Finish" when ordering (see "How to order" on page 8).

ACCESSORIES	WIDTH RADIATOR	COLOUR	REFNR.
SQUARE HOOK  <ul style="list-style-type: none"> h = 24 mm; b = 24 mm; d = 65 mm 	CB / CPVN1-ZB / CPVN2-ZB / CRVN1-ZB / CPHN1-RO / CPHN2-RO / CR-O / CR-A		
		CHROME	118350000000099
TOWEL RAIL STRAIGHT  <ul style="list-style-type: none"> h = 24 mm; b = 720 mm (easy adjustable); d = 66 mm; a = 48 mm 	CB / CPVN1-ZB / CPVN2-ZB / CPHN1-RO / CPHN2-RO		
		CHROME	118320700000099
TOWEL RAIL CURVED  <ul style="list-style-type: none"> h = 24 mm; b = 720 mm (easy adjustable); d = 66 mm; a = 48 mm 	CRVN1-ZB		
		CHROME	118320600000099
TOWEL RAIL ROUND  <ul style="list-style-type: none"> Towel rail round CR-O 350 mm; h = 40 mm; b = 518 mm; d = 65 mm; a = 50 mm Towel rail round CR-O 430 mm; h = 40 mm; b = 598 mm; d = 65 mm; a = 50 mm 	CR-O		
	350 mm	ALUMINIUM	118321000000000
	430 mm	ALUMINIUM	118321100000000
TOWEL RAIL ROUND  <ul style="list-style-type: none"> Towel rail round CR-A 244 mm; h = 40 mm; b = 335 mm; d = 65 mm; a = 50 mm Towel rail round CR-A 298 mm; h = 40 mm; b = 386 mm; d = 65 mm; a = 50 mm 	CR-A		
	244 mm	ALUMINIUM	118320800000000
	298 mm	ALUMINIUM	118320900000000

d = distance front of the accessory up to front of the radiator
a = distance accessory up to the radiator

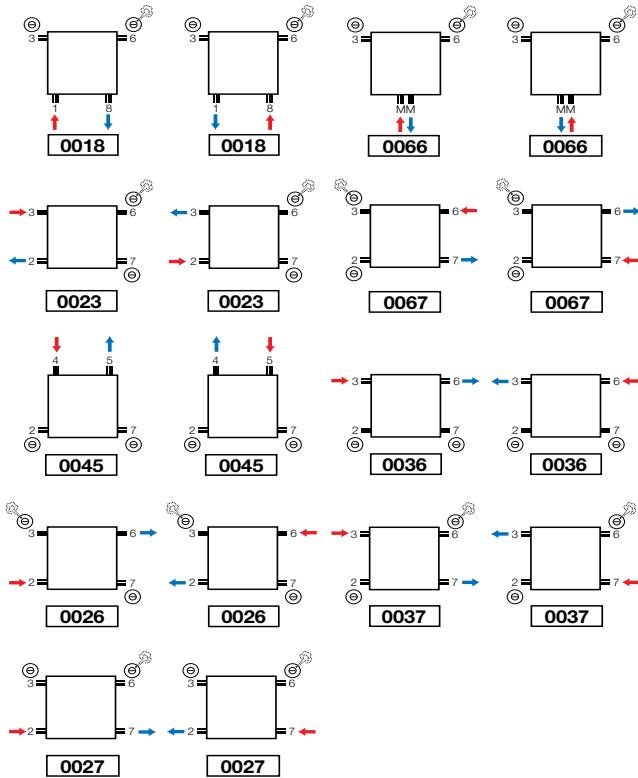
CARRÉ CONNECTIONS

CARRÉ VERTICAL: CPVN1-ZB / CPVN2-ZB (STOCK)



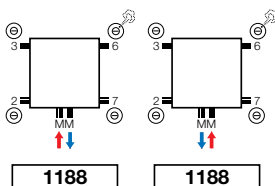
- Attention: connecting the radiator can only be as shown by the connecting icons. For any other connection method, we take no responsibility.

CARRÉ VERTICAL: CPVN1-ZB / CPVN2-ZB (NON STOCK)



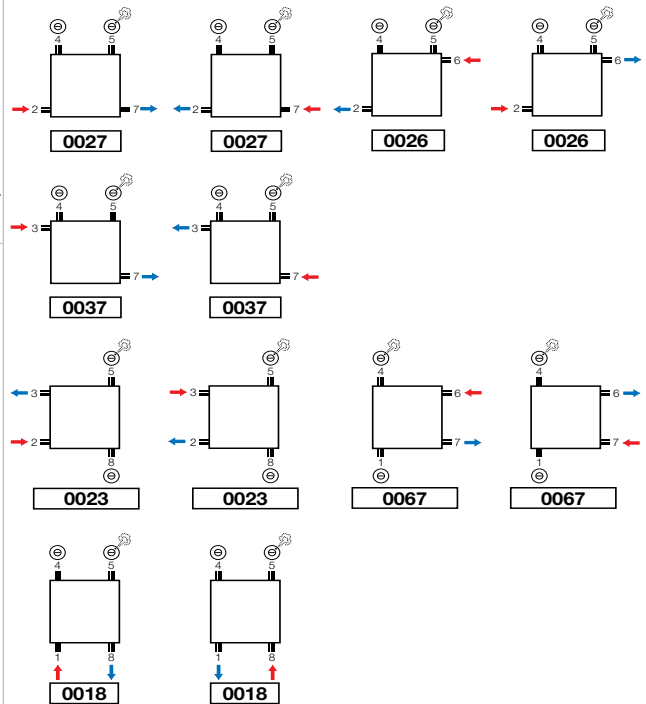
- Attention: connecting the radiator can only be as shown by the connecting icons. For any other connection method, we take no responsibility.

CARRÉ ROUND: CRVN1-ZB



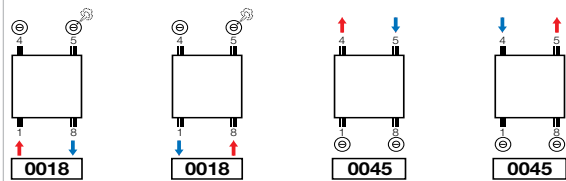
- Attention: connecting the radiator can only be as shown by the connecting icons. For any other connection method, we take no responsibility.

CARRÉ HORIZONTAL: CPHN1-RO / CPHN2-RO



- Attention: connecting the radiator can only be as shown by the connecting icons. For any other connection method, we take no responsibility.

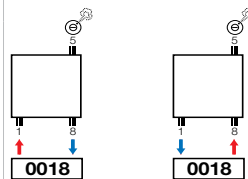
CARRÉ BATHROOM: CB



- Attention: connecting the radiator can only be as shown by the connecting icons. For any other connection method, we take no responsibility.

CARRÉ HALF-ROUND: CR-O

CARRÉ QUARTER-ROUND: CR-A



- Attention: connecting the radiator can only be as shown by the connecting icons. For any other connection method, we take no responsibility.

CARRÉ QUARTER-ROUND: CR-A

The connection pipes must be mounted perpendicular to the wall!

