



## ANGLE VALVES A-80 ORIGINAL

A-80 SERIE

### SCOPE

A-80 ORIGINAL are quarter angle brass ball valves designed for being connected to water pipe system. They are used to shut off individually water supply to sinks, basins, cisterns and other places to proceed to repair or replace.

A-80 are 1/4 quarter turn valves.

### SERVICE CONDITIONS

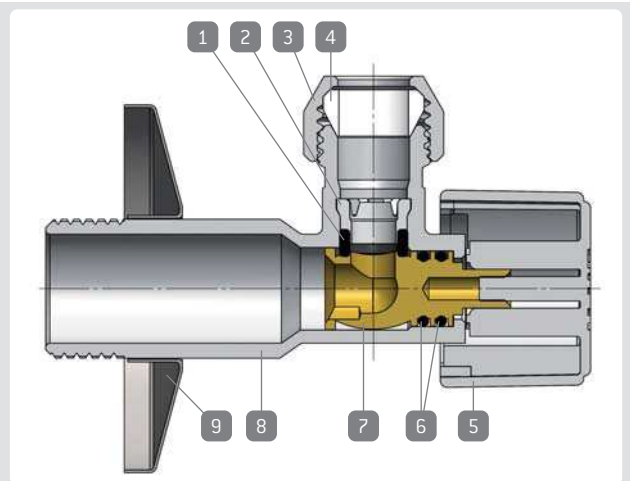
**Nominal pressure:** 16 bar.  
**Temperature range:** cold and hot water up to 95°C.

**Test pressure:** 25 bar.  
**Fluid:** water intended to human consumption and domestic hot water.

### COMPONENTS

ITEM	COMPONENT	MATERIAL	TREATMENT
1	Seat	NBR	
2	Supporting clip	POM	
3	Nut <sup>1</sup>	CW614N European Brass	Chrome plated
4	Bicone <sup>1</sup>	Polyamide	
5	Handle	ABS or Zamak	Chrome plated
6	Seals	NBR	
7	Stem & ball	CW614N European Brass	
8	Main body	CW617N European Brass	Chrome plated
9	Rosette	Stainless steel	

<sup>1</sup> according to model



### MAIN CONSTRUCTIVE FEATURES

#### STEM-BALL

Stem and ball are manufactured in one piece with CW614N European brass, which increases its resistance and performance.

This original component of ARCO has been designed to reduce loss of pressure keeping a constant flow rate and avoiding noise.





ERROR: undefinedresource  
OFFENDING COMMAND: findresource

STACK:

/0  
/CSA  
/0  
/CSA  
-mark-