



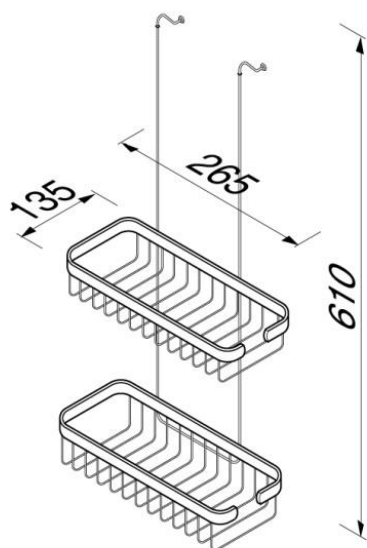
Basket collection

91253

Basket, double suspendible



- Finish: chrome
- Guarantee 12 years
- Both baskets are adjustable in height
- Anti-scratch protection
- For use on shower enclosures with max width of 20mm



- 610x265x135 mm

Quality has proven to be of decisive importance in recent years, which is why we can offer a 12-year warranty period for our chrome products. The entire selection is developed in Amersfoort. Geesa is certified according to the ISO 9001-2008 standard for design, productions and the delivery of bathroom accessories. Geesa reserve the right to change product specification.

10/2015