

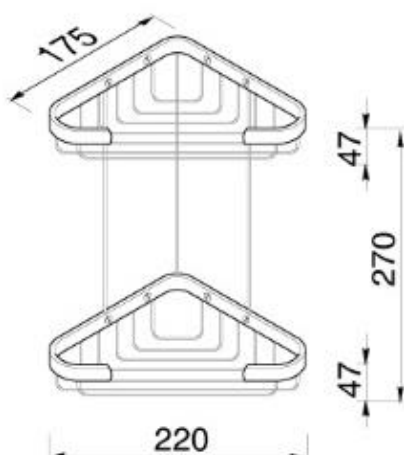
Basket collection

91185

Bottle/sponge holder, corner model



- Finish: chrome
- Wall mounted
- Guarantee 12 years
- Including screws



- 220x175x270 mm

Also available:

- 91697: Cover plate to conceal fixing



Quality has proven to be of decisive importance in recent years, which is why we can offer a 12-year warranty period for our chrome products. The entire selection is developed in Amersfoort. Geesa is certified according to the ISO 9001-2008 standard for design, productions and the delivery of bathroom accessories. Geesa reserve the right to change product specification.

10/2015