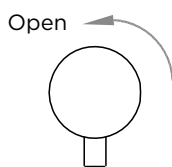
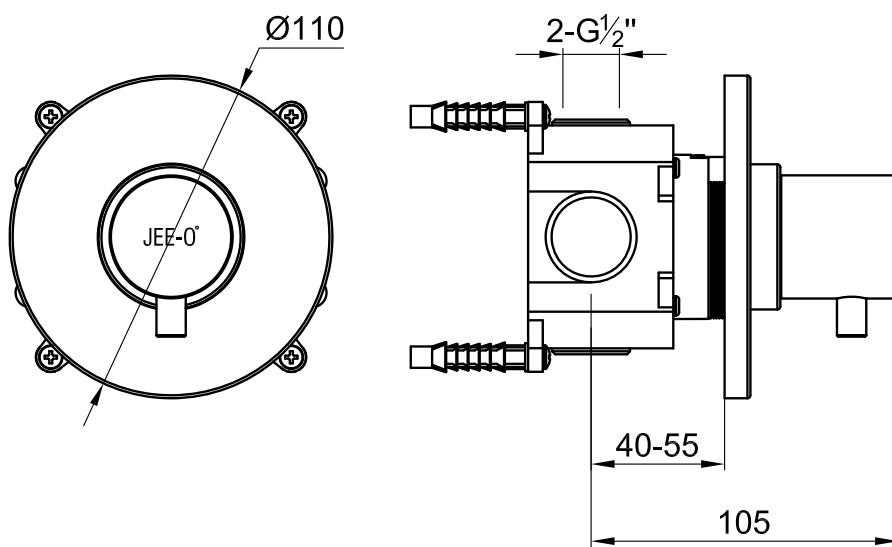




JEE-O slimline valve



Article code:

800-2700

● Brushed

800-2703

● Structured black

800-2704

● PVD coated bronze

800-2705

● PVD coated matt gold

800-2709

● PVD coated dark steel

Material:

Stainless Steel r304

Cleaning instructions:

download JEE-O shower and taps manual on our website: www.jee-o.com

Cartridge:

Fluhs ceramic valve, item code 005-0602

Flow at water of 38°C:

10L p/m at 3bar pressure

Pressure:

Recommended working pressure 3Bar

Connection:

2 x G 1/2" (ø15mm / 0.6")

Dimension package:

L 26 x W 18 x H 18 cm

Total weight:

1.7 kg

Package weight:

0.448 kg

7 year warranty - The general conditions can be found on our website: www.jee-o.com/downloads