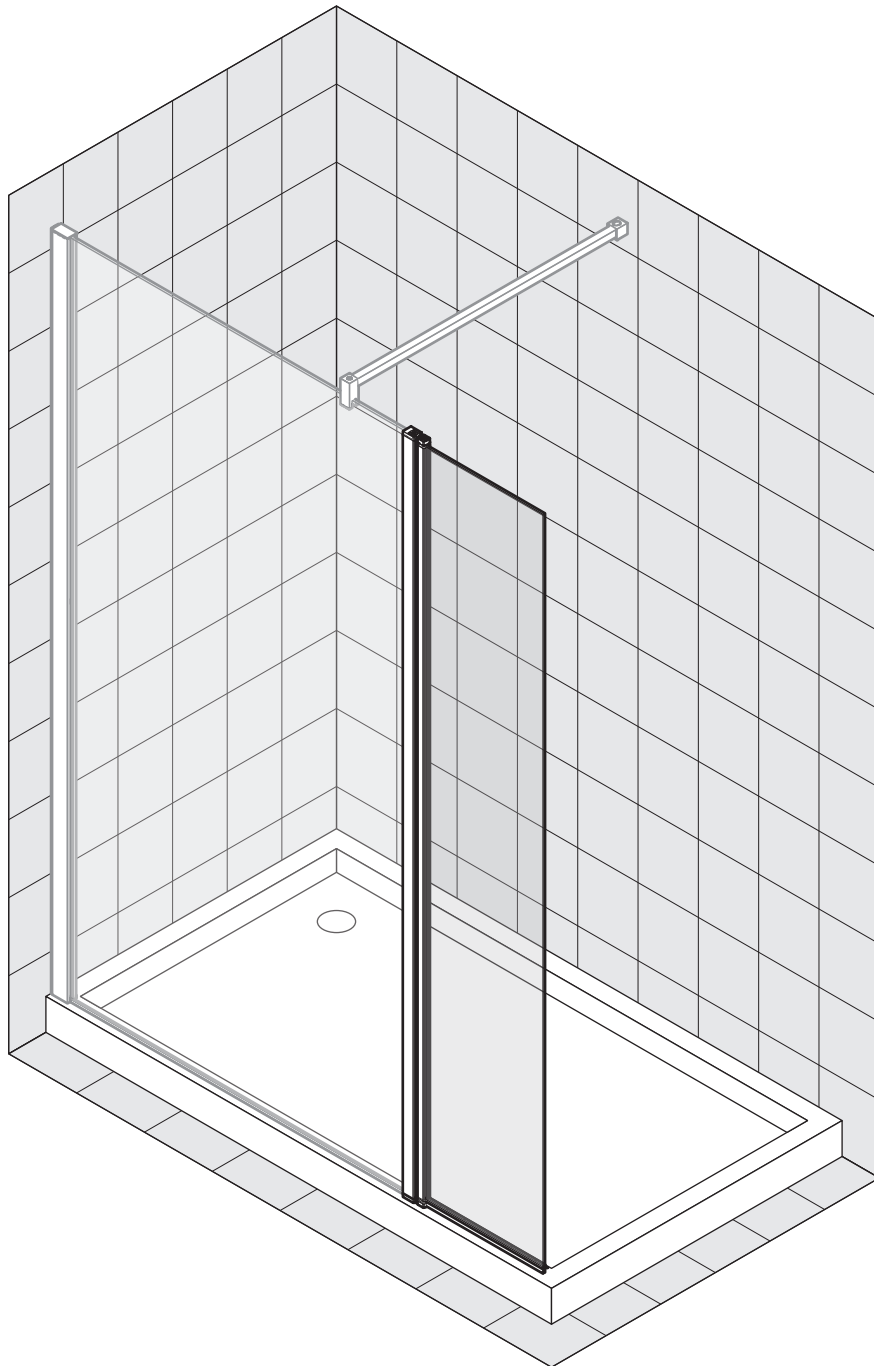
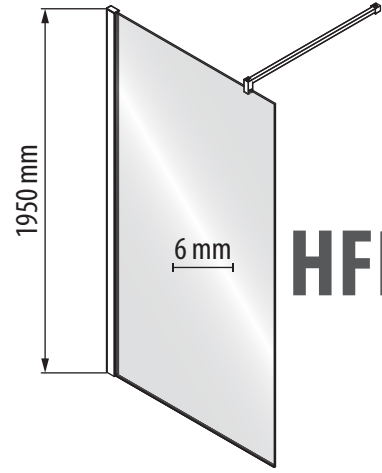
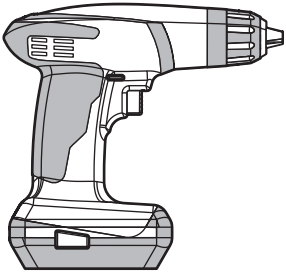
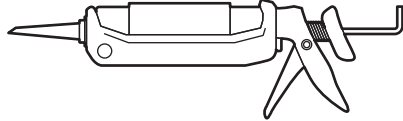
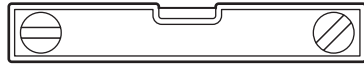
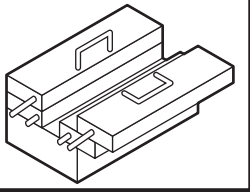


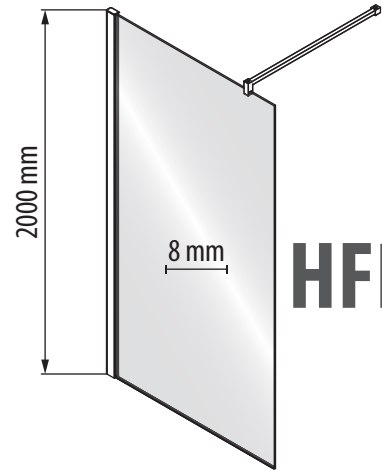
**HFP**



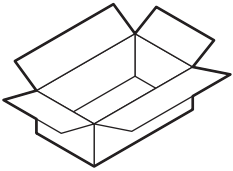
<hr/> <hr/> <hr/> <hr/>	<hr/> <hr/> <hr/> <hr/>
-------------------------	-------------------------



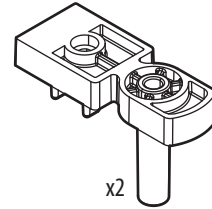
**HFP1**



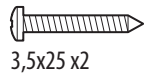
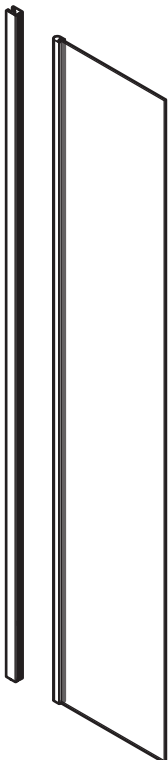
**HFP2**



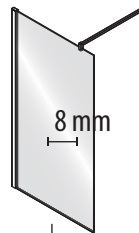
x1



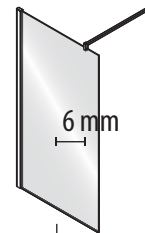
x2



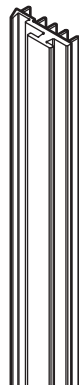
3,5x25 x2



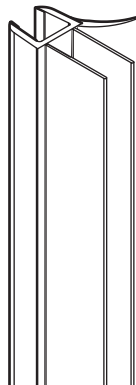
8 mm



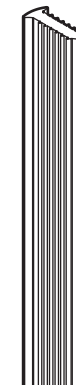
6 mm



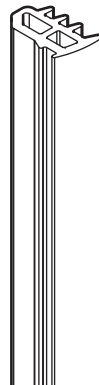
x1



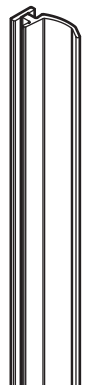
x1



x1



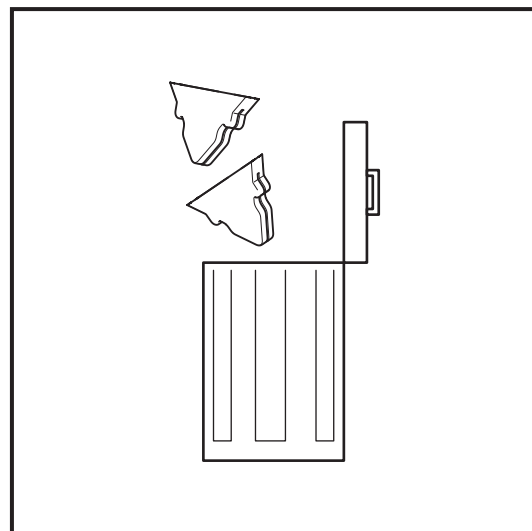
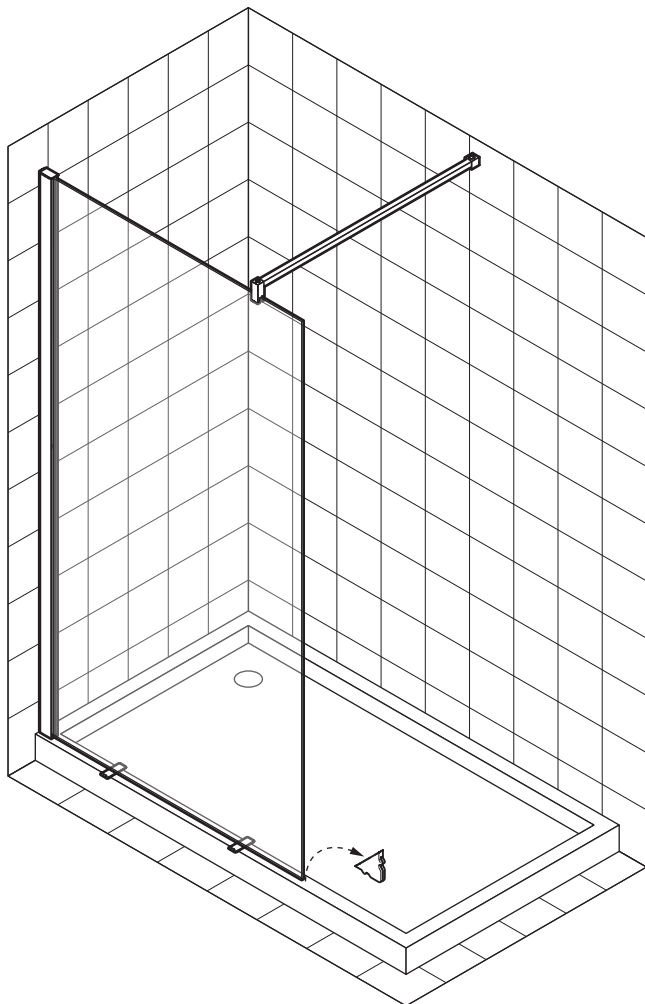
x1



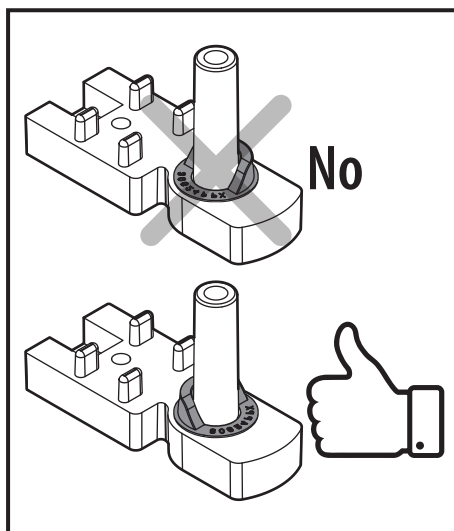
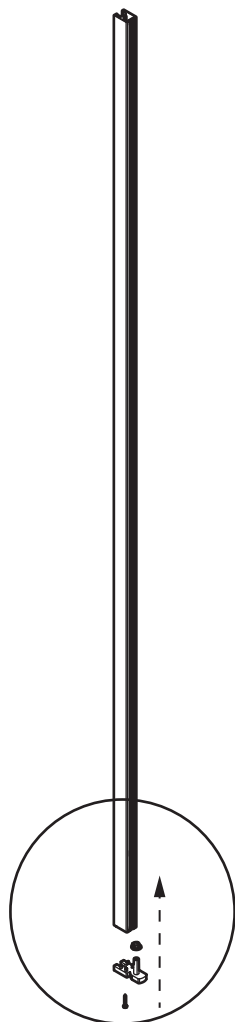
x1

**2**

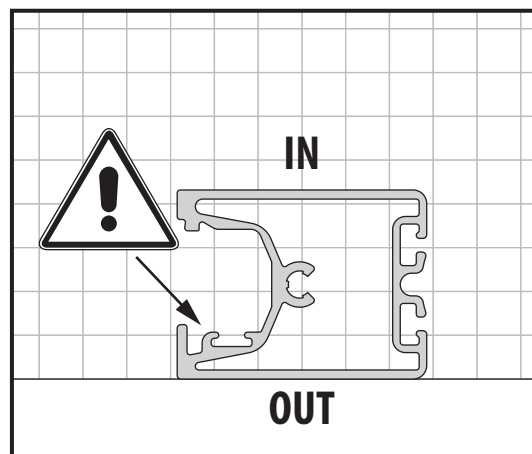
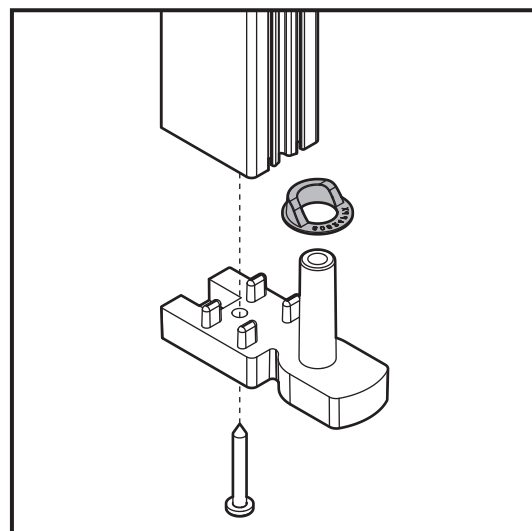
# 1



# 2

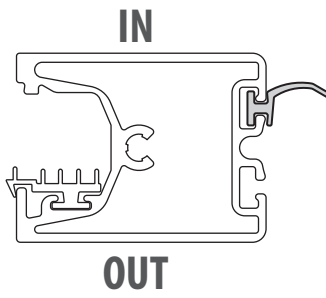
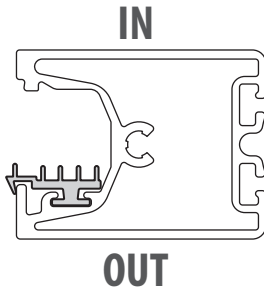
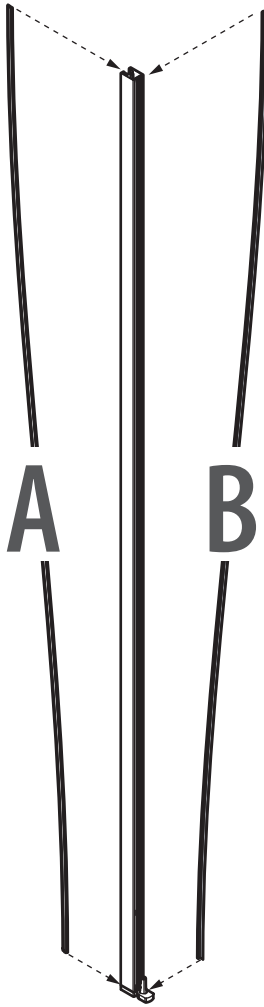


3,5x25 x1

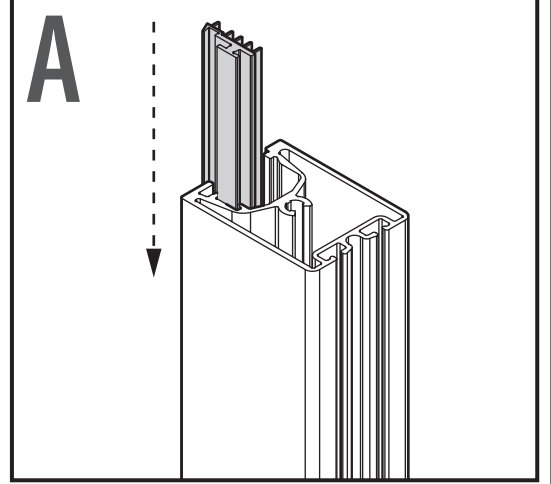


# 3

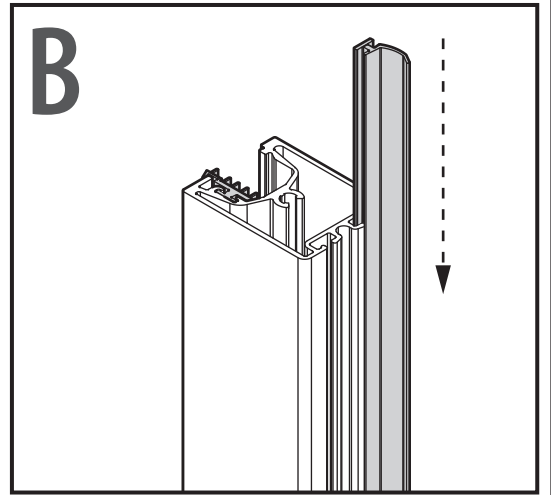
**3**



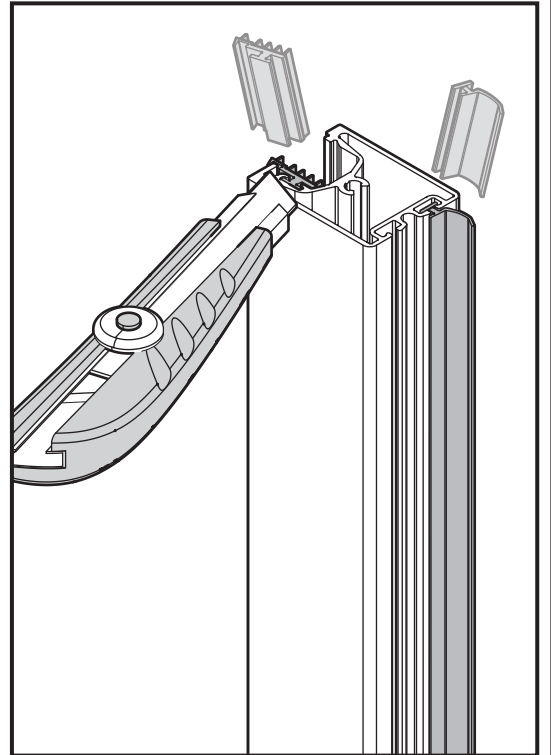
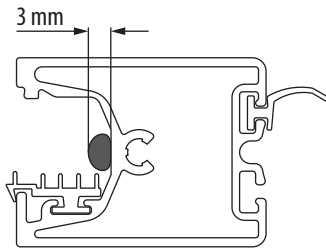
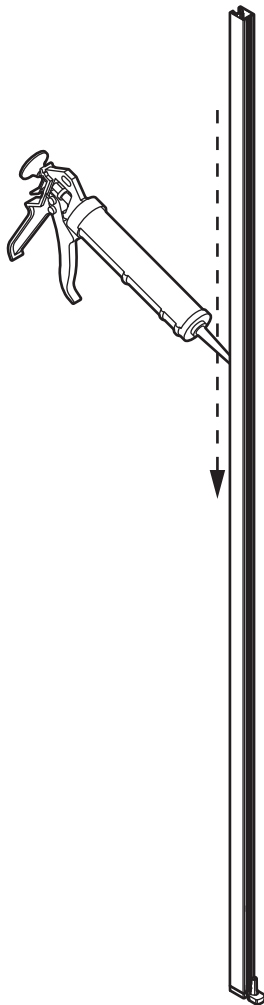
**A**



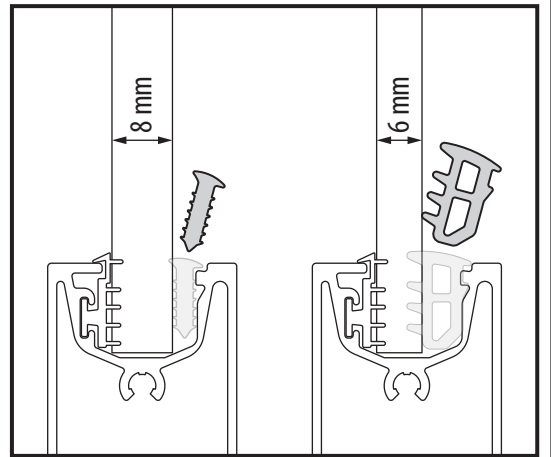
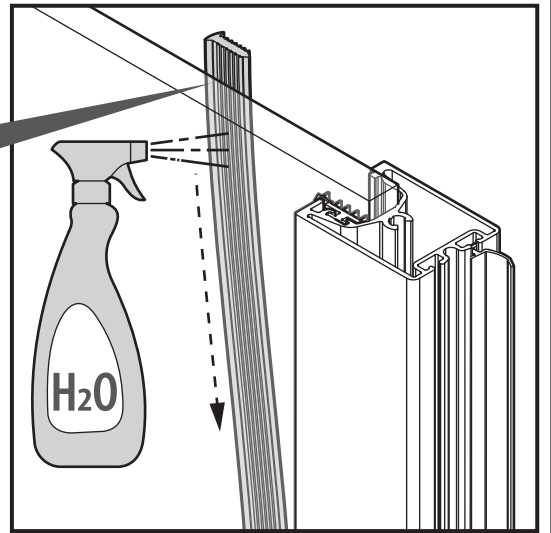
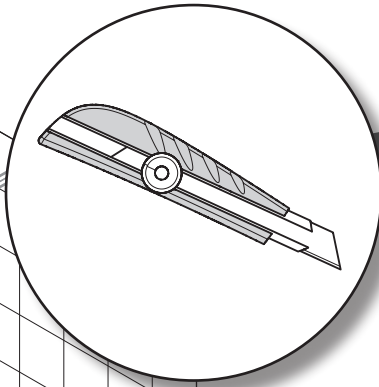
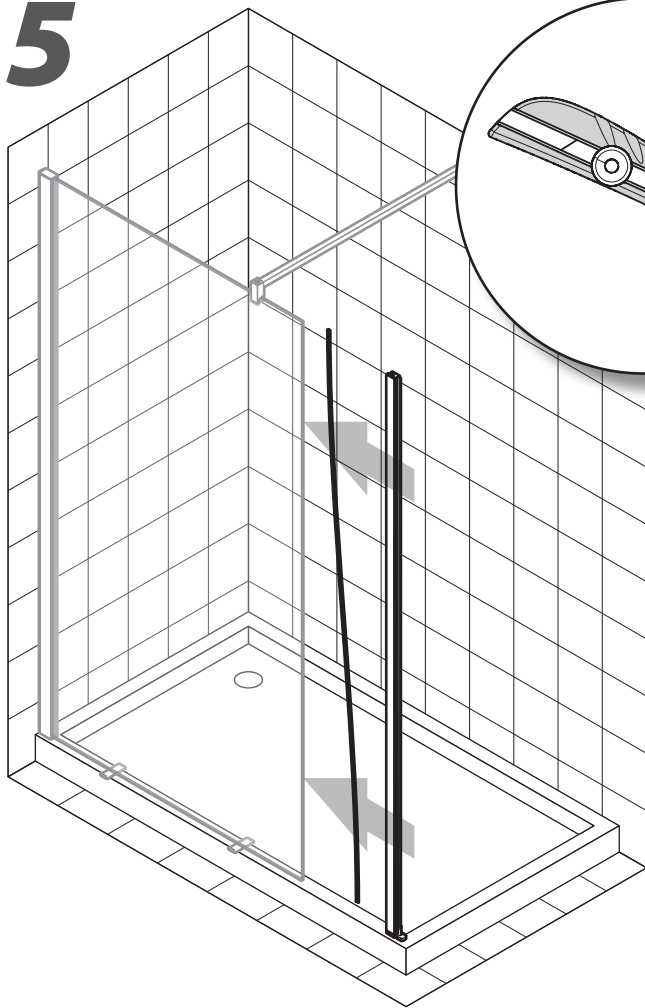
**B**



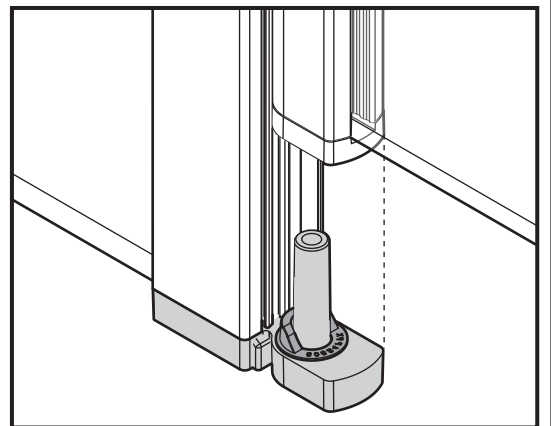
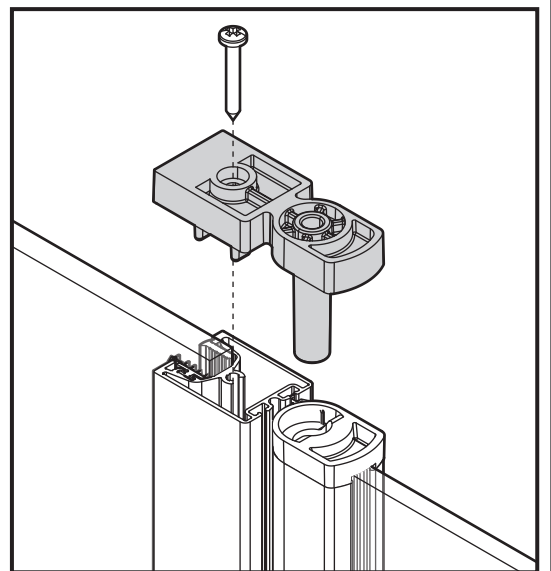
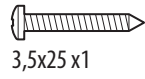
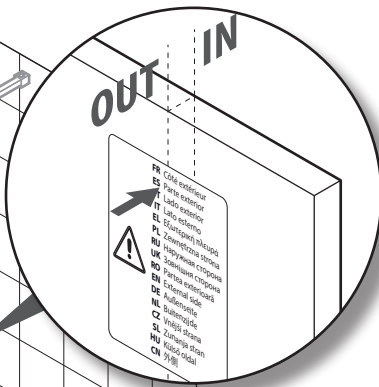
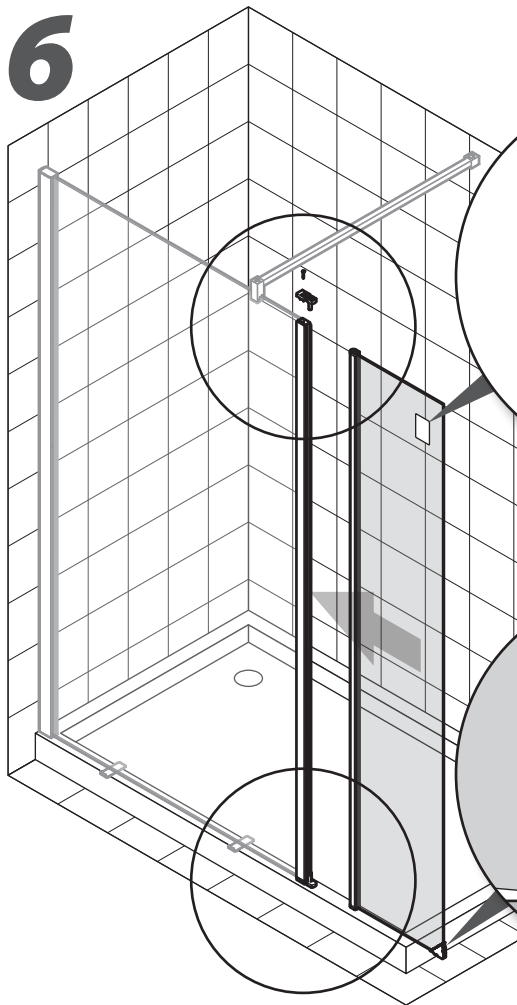
**4**



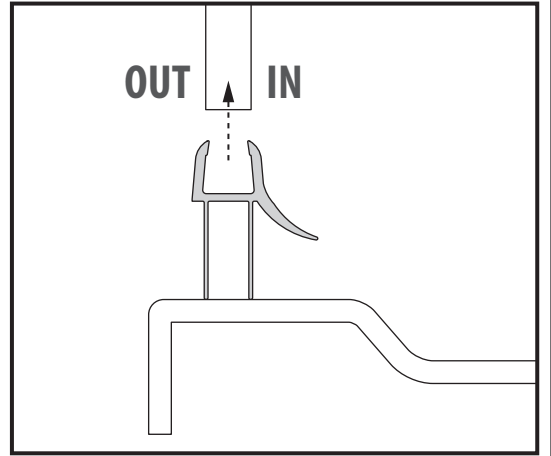
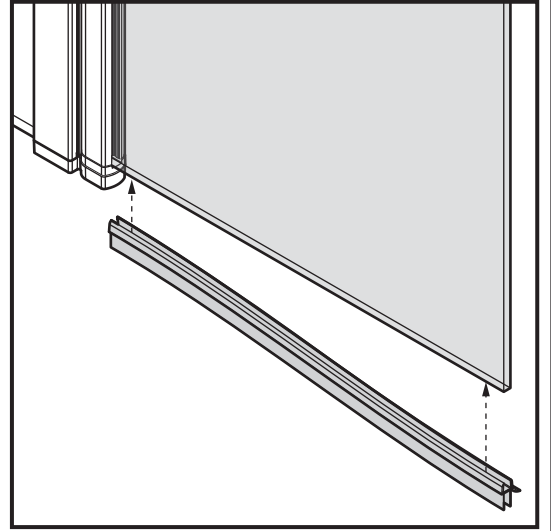
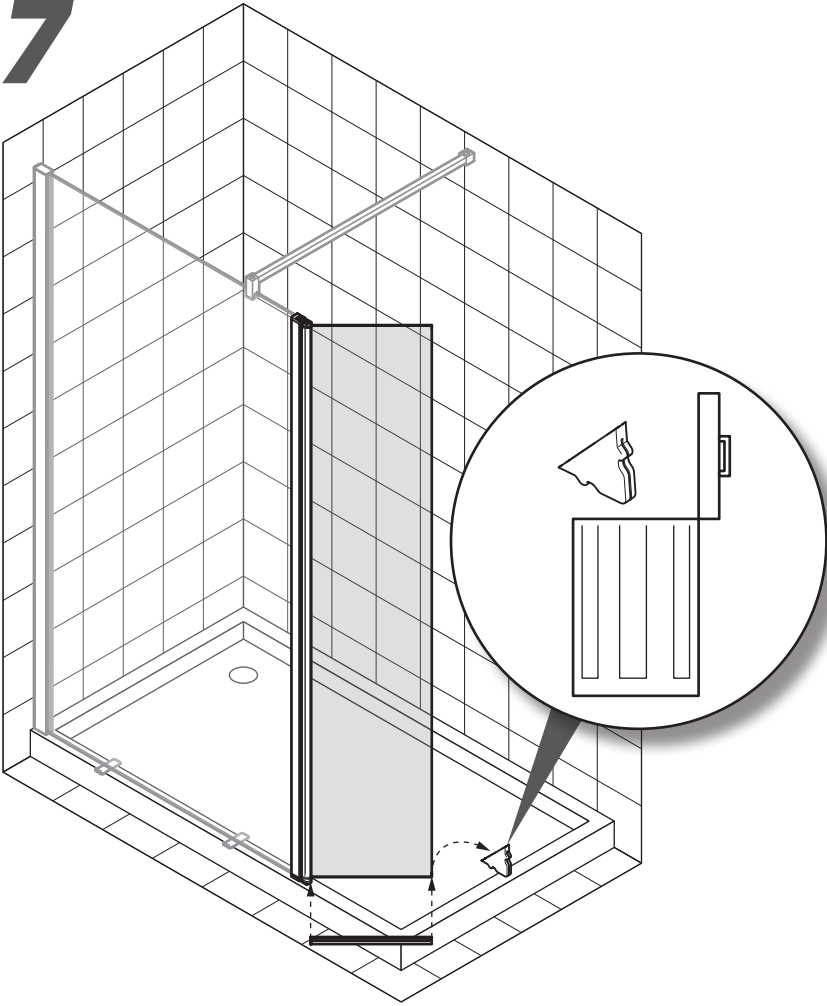
# 5



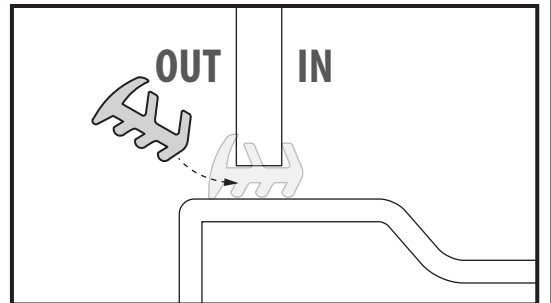
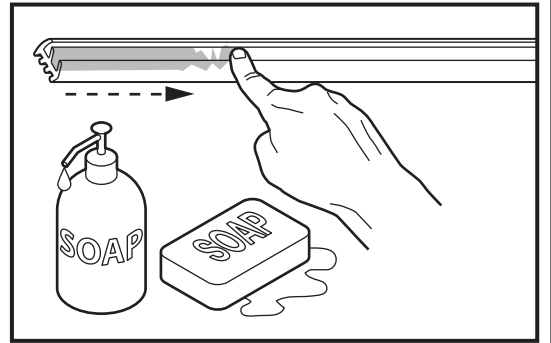
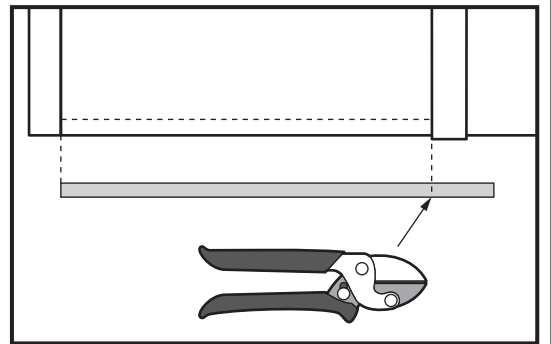
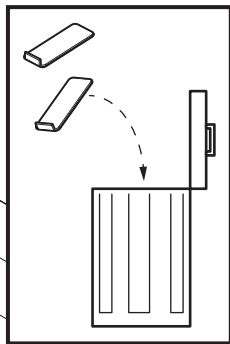
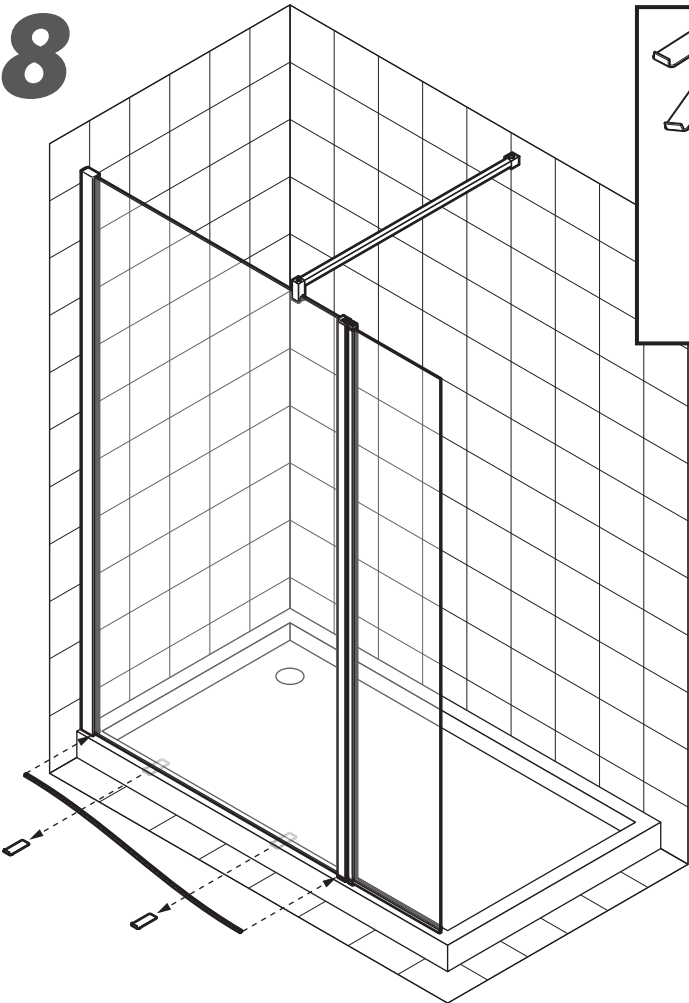
# 6



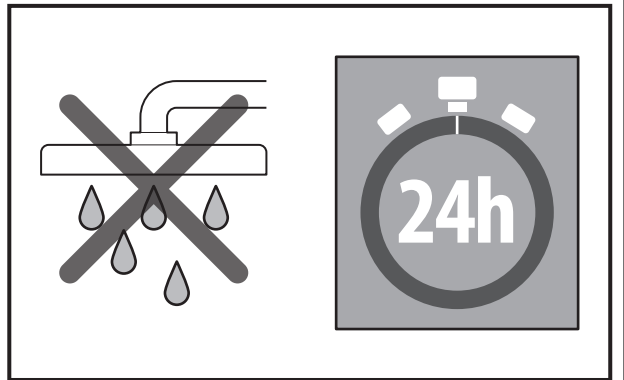
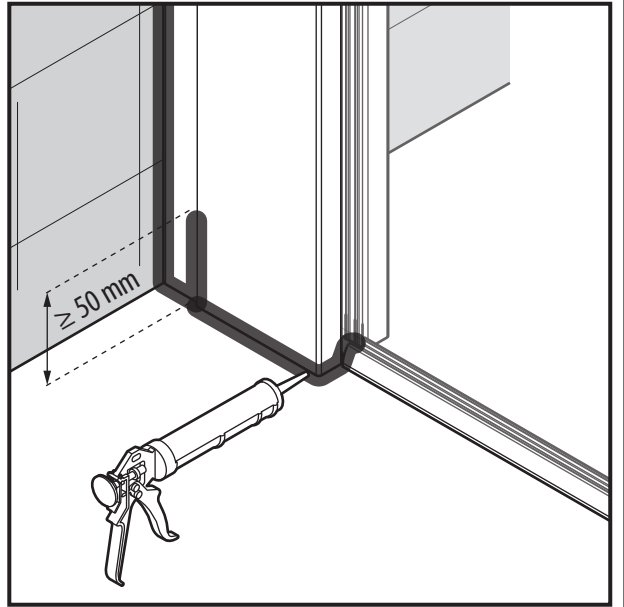
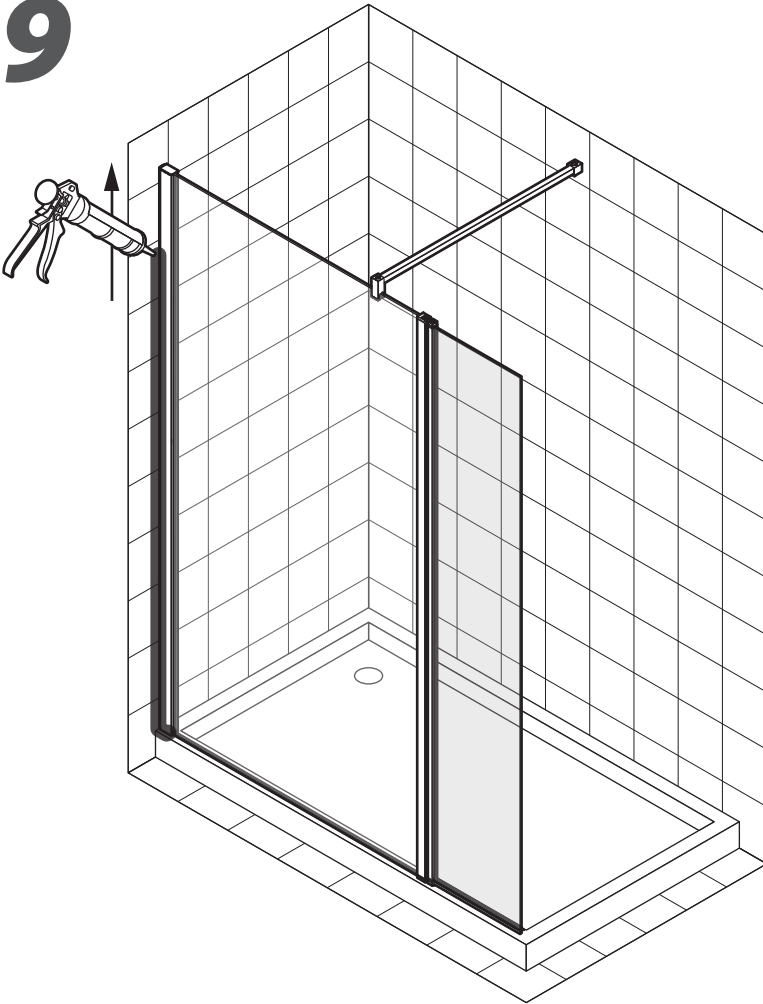
7



8



9



10

