



# I-DRAIN® LIQUID LINEAR 68 & 85

> The specialist in liquid flooring

The I-DRAIN® Liquid drain channel with specific design and ease of installation offers the solution for installing your walk-in shower in a liquid floorfinish. The height-adjustable pouring rim always ensures a seamless transition between your liquid floor and your shower channel without any height differences. This always produces an excellent finish.

**Color grating and flange:** available in white and concrete dark (PVD color optional)

**Grating adjustable:** yes, sandable

**Extension set available:** no

**Siphon:** completely removable for easy cleaning

**Included in box:** I-Buddy installation block and tile block

**Type outlet:** horizontal

**10 years warranty**



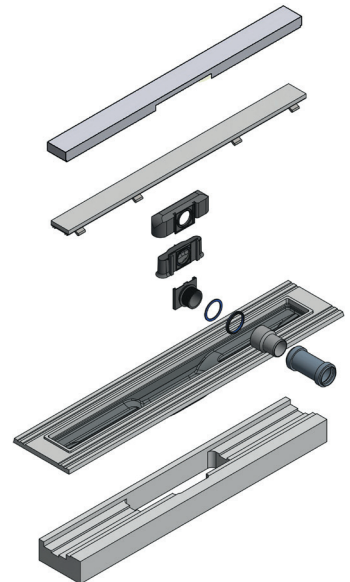
> Characteristics	68 mm	85 mm
<b>Mounting height</b>	from 68 mm	from 85 mm
<b>Water seal height</b>	30 mm	50 mm
<b>Connection (Ø)</b>	40 mm	50 mm
<b>Flow capacity</b>	26,4 l/min.	31,8 l/Min.

**Available in 3 sizes:**

- 700 mm
- 800 mm
- 900 mm

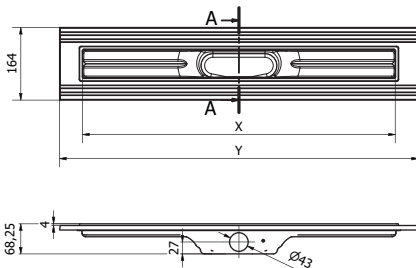
> Material

<b>Drain</b>	Deep drawn stainless steel
<b>Grating and flange</b>	Solid Surface
<b>Outer screw part</b>	Nylon
<b>Inner screw part</b>	ABS PC
<b>Siphon</b>	ABS
<b>Grating supports</b>	ABS
<b>Sealing rings</b>	Silicone

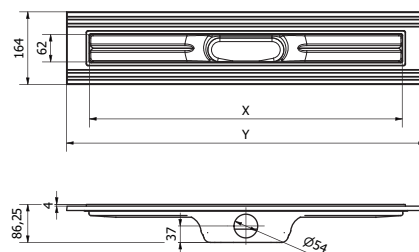


> Technical drawing

**Drain - 68 mm**



**Drain - 85 mm**



**Grating**



X
702
802
902

x = mounting size

X	Y
709	813
809	913
909	1013

x = view size  
y = mounting size