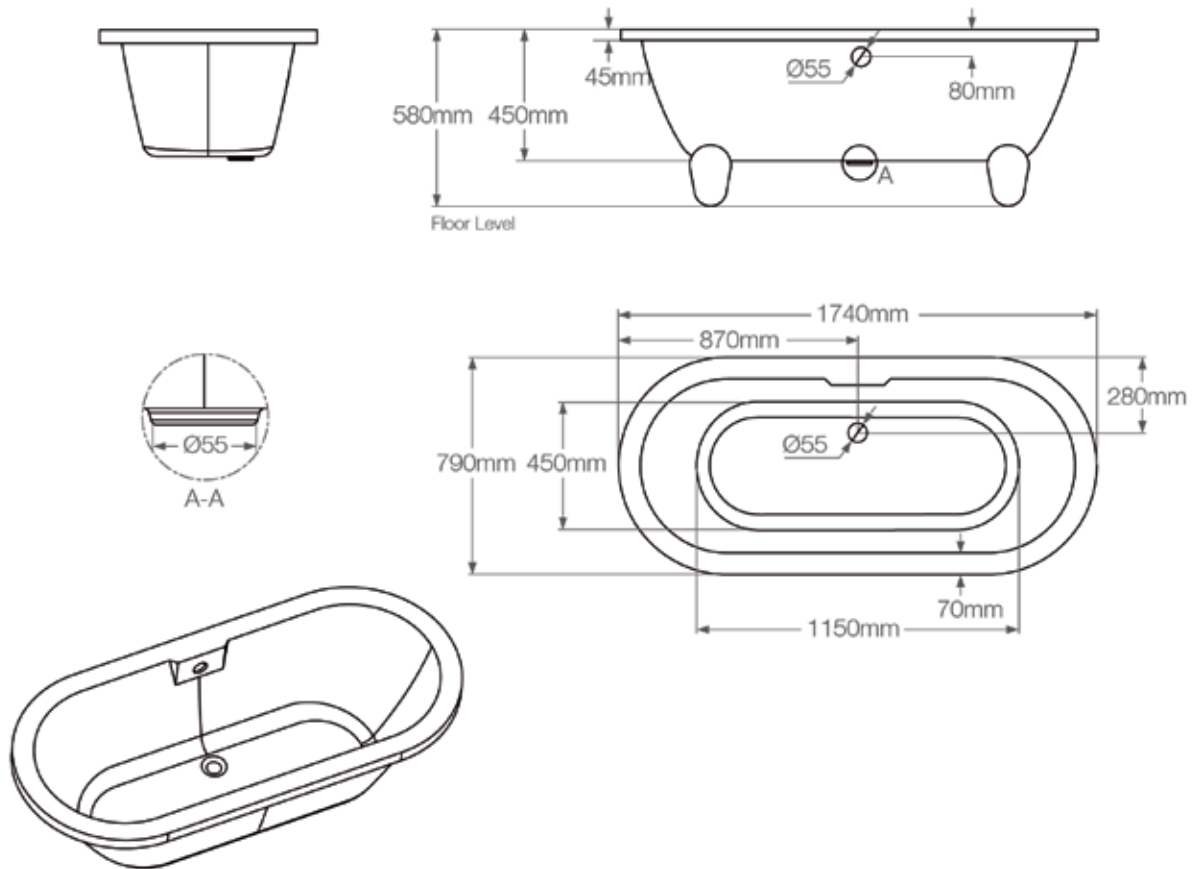


620.12010_Newport (tech)



General Specification

Litres to overflow: 190 litres

Weight: 39kg

Weight (with water): 229kg

Tap Holes: Can be drilled on request

Lifetime Guarantee