

Rain shower with wall fixing 400 mm

28 659 970



- 450 mm projection
- rain shower Ø 400 mm
- rain flow
- max. flow 14 l/min
- rosette Ø 60 mm
- 1/2" connection
- with anti-scale system
- WRAS: 1707033
- This product can help a building to meet requirements of Green Building Rating Systems, e.g. LEED®, BREEAM®, DGNB, WELL

	Brushed Durabronze (23kt Gold)	28 659 970-28
	Chrome	28 659 970-00
	Brushed Platinum	28 659 970-06
	Platinum	28 659 970-08
	Matte White	28 659 970-10
	Dark Chrome	28 659 970-19
	Matte Black	28 659 970-33
	Brushed Champagne (22kt Gold)	28 659 970-46
	Champagne (22kt Gold)	28 659 970-47
	Brushed Chrome	28 659 970-93
	Brushed Dark Platinum	28 659 970-99

Recommended miscellaneous



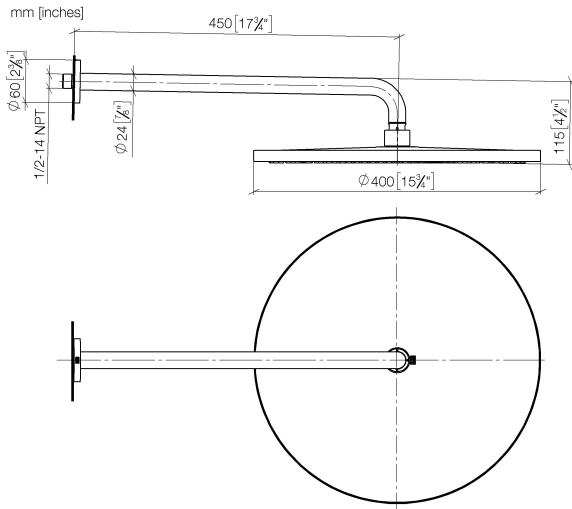
Concealed wall elbow

35 085 970 90

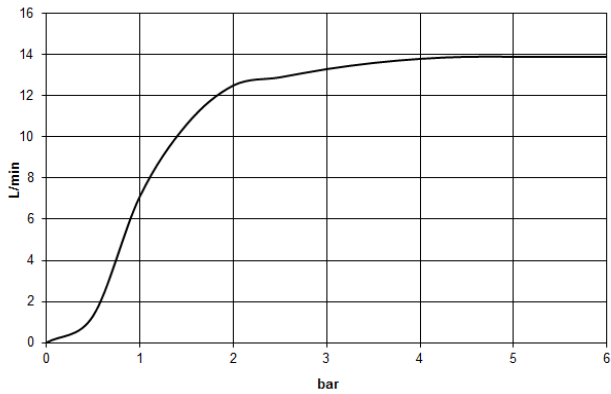
- min. recess depth 90 mm
- max. recess depth 163 mm

Rain shower with wall fixing 400 mm

28 659 970

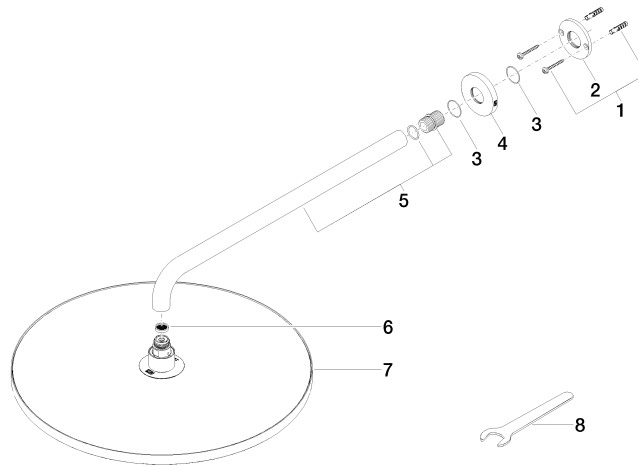


Flow rate chart



Rain shower with wall fixing 400 mm

28 659 970



Spare parts list

No.	Item Number	Name	Quantity used	Delivery time
1	04 30 31 032 00 90	fixing set	1	2
2	09 17 20 120 90	holder	1	2
3	09 14 10 150 90	seal	2	2
4	09 27 97 015-28	rosette	1	20
5	90 11 03 070 00-28	pipe	1	20
6	09 23 01 075 90	insert	1	2
7	04 12 05 090 00-28	shower	1	20
8	09 30 09 069 90	key	1	2