

# NORMBAU

PASSION FOR CARE

## Inox Care Lift-up support rail 2050070 vario, suspendable, L = 900mm, with base plate

Lift up support rail vario with base plate,  
length 900mm, 32mm dia.,  
made of stainless steel, material No. 1.4301 (A2 AISI 304), brushed finish, left  
or right hand application, space required in vertical position 193mm from wall,  
with adjustable brake, easy installation by mounting to a base plate.

Base plate, made of stainless steel for balanced wall mounting, concealed  
screw fixing, supplied without fixing screws and plugs, conform to German  
standard DIN 18040 1-2, maximum loading permitted: 125 kgs.

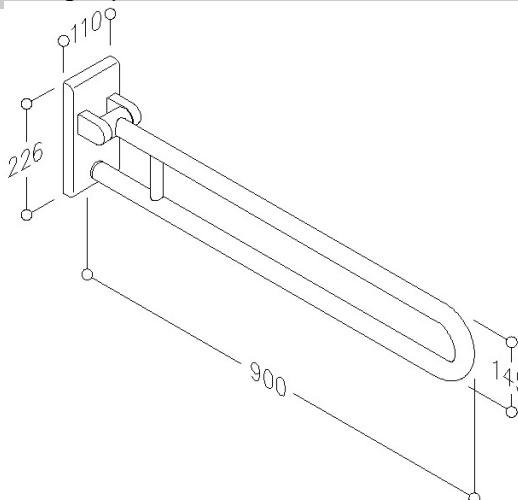
850mm length conform to German standard DIN 18040-1/2, Austrian standard  
ÖNORM B1600.

TÜV PRODUKT SERVICE certified.

Select appropriate fixing material to suit site conditions. Can be fitted with  
paper roll holder 2050 300 may be added at a later stage.

Product code	2050070
--------------	---------

Product group	5500
---------------	------



NORMBAU GmbH  
Schwarzwaldstraße 15  
77871 Renchen/Germany  
Telefon +49(0)7843 / 704 - 0  
Telefax +49(0)7843 / 704 - 43  
[www.normbau.de](http://www.normbau.de) [normbau@allegion.com](mailto:normbau@allegion.com)

  
**ALLEGION**